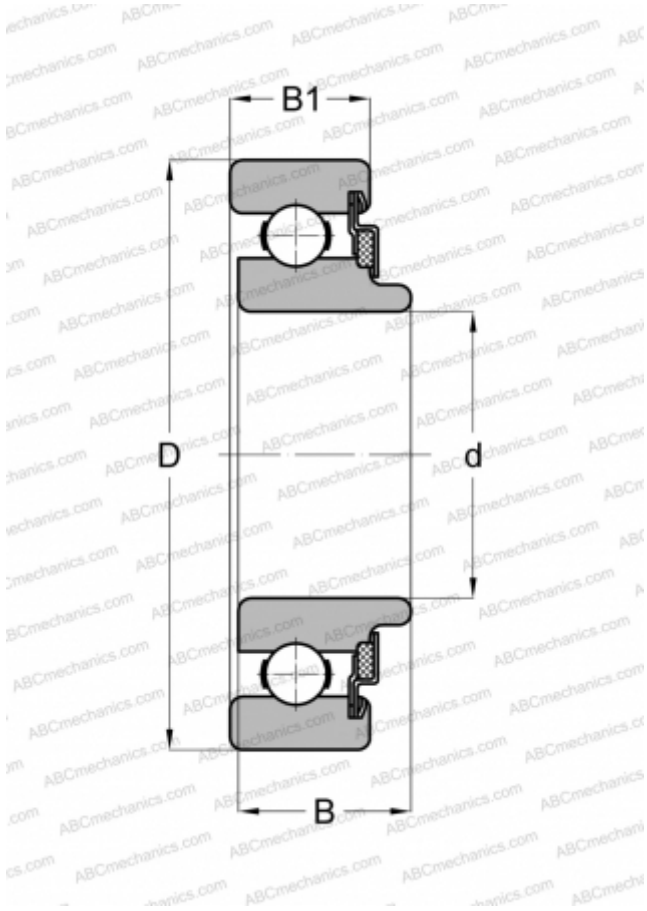


## 8035 NEW DEPARTURE

Deep groove ball bearings

TYPE: Ball bearings, Radial ball bearings, Single row, Without flange, Felt seal on one side, wide inner ring



### Technical specification

#### DIMENSIONS, MM

d	5,000
D	19,000
B	10,312
B1	8,001

#### MANUFACTURER

[NEW DEPARTURE](#)