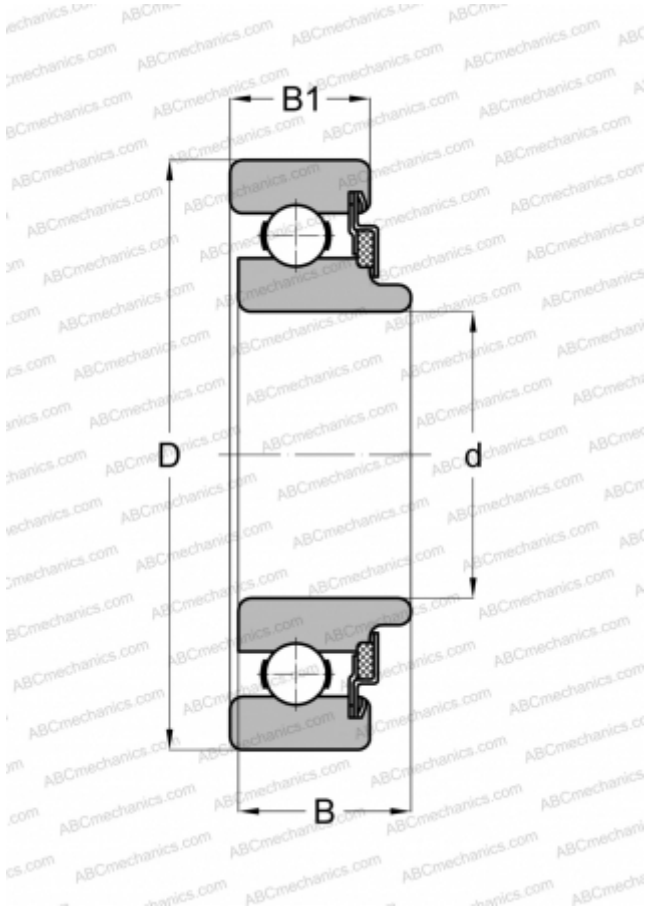


8011 NEW DEPARTURE

Deep groove ball bearings

TYPE: Ball bearings, Radial ball bearings, Single row, Without flange, Felt seal on one side, wide inner ring



Technical specification

DIMENSIONS, MM

| | |
|----|--------|
| d | 11,000 |
| D | 32,000 |
| B | 12,700 |
| B1 | 10,008 |

WEIGHT, KG

0,046

MANUFACTURER

[NEW DEPARTURE](#)