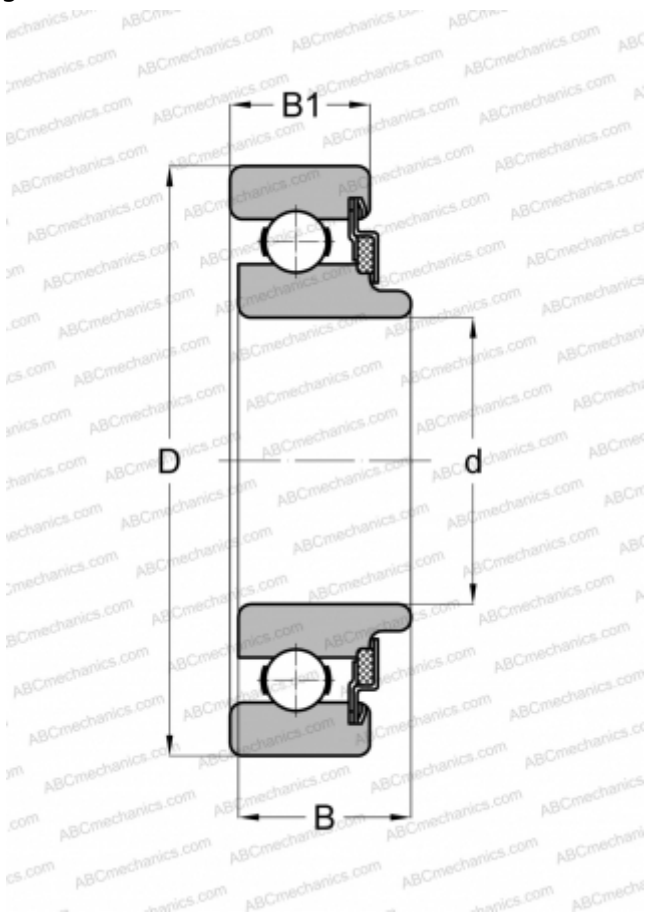


## 8502 NEW DEPARTURE

Deep groove ball bearings

TYPE: Ball bearings, Radial ball bearings, Single row, Without flange, Felt seal on one side, wide inner ring



### Technical specification

#### DIMENSIONS, MM

d	15,000
D	35,000
B	12,700
B1	10,998

#### WEIGHT, KG

0,049

#### MANUFACTURER

[NEW DEPARTURE](#)