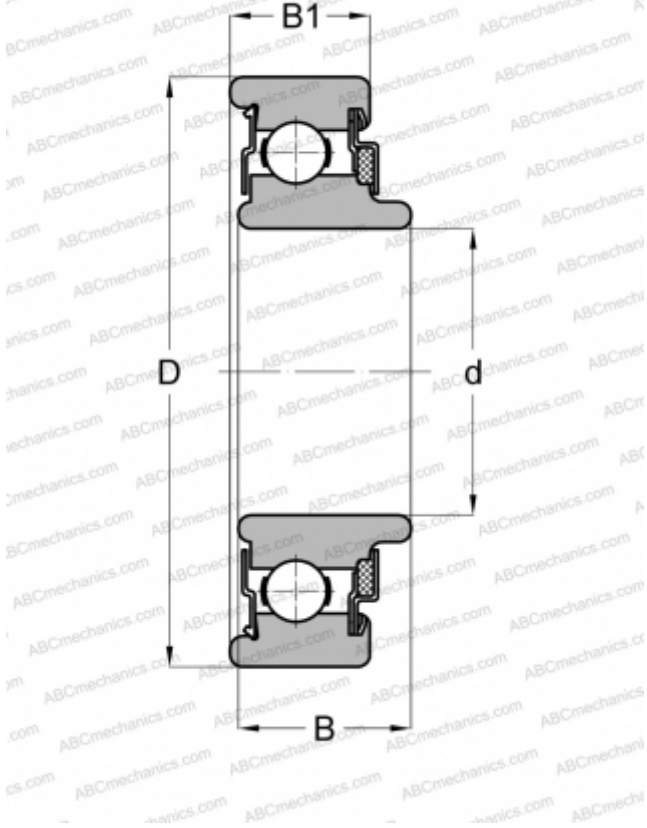


8008 NEW DEPARTURE

Deep groove ball bearings

TYPE: Ball bearings, Radial ball bearings, Single row, Without flange, Felt seal on one side, shield on second side, wide inner ring



Technical specification

DIMENSIONS, MM

| | |
|----|--------|
| d | 8,000 |
| D | 24,000 |
| B | 10,312 |
| B1 | 8,001 |

WEIGHT, KG

0,020

MANUFACTURER

[NEW DEPARTURE](#)