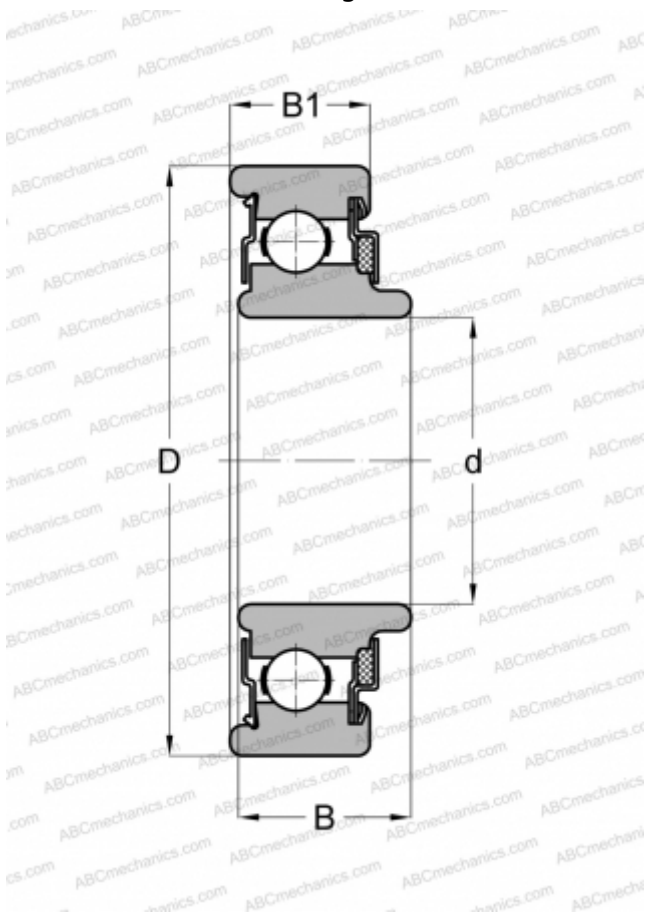


## 8011 NEW DEPARTURE

Deep groove ball bearings

TYPE: Ball bearings, Radial ball bearings, Single row, Without flange, Felt seal on one side, shield on second side, wide inner ring



### Technical specification

#### DIMENSIONS, MM

|    |        |
|----|--------|
| d  | 11,000 |
| D  | 32,000 |
| B  | 12,700 |
| B1 | 10,008 |

#### WEIGHT, KG

0,046

#### MANUFACTURER

[NEW DEPARTURE](#)