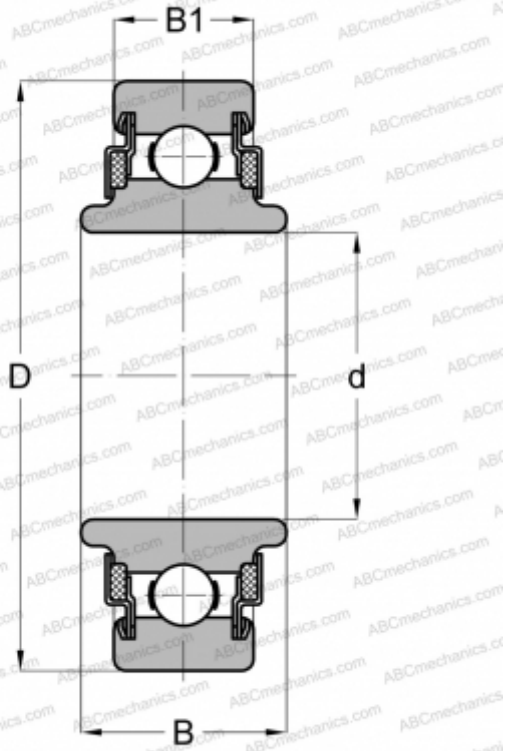


## 88501 NEW DEPARTURE

TYPE: Ball bearings, Radial ball bearings, Single row, Without flange, Felt seals on both side, wide inner ring



### Technical specification

#### DIMENSIONS, MM

d	12,000
D	32,000
B	15,392
B1	10,008

#### WEIGHT, KG

0,045

#### MANUFACTURER

[NEW DEPARTURE](#)