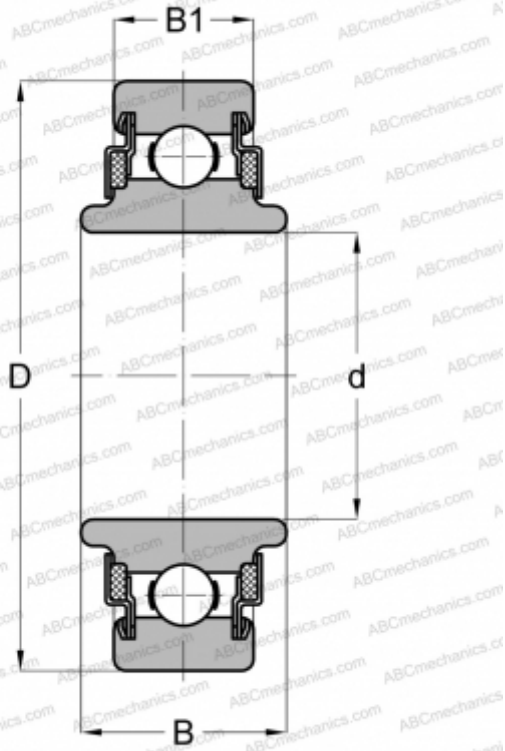


8851a NEW DEPARTURE

TYPE: Ball bearings, Radial ball bearings, Single row, Without flange, Felt seals on both side, wide inner ring



Technical specification

DIMENSIONS, MM

d	60,000
D	110,000
B	32,995
B1	24,994

WEIGHT, KG

1,061

MANUFACTURER

[NEW DEPARTURE](#)