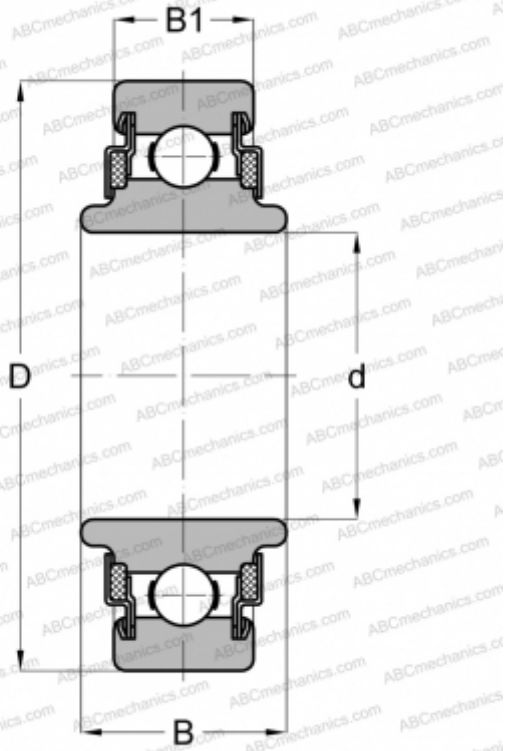


88609 NEW DEPARTURE

TYPE: Ball bearings, Radial ball bearings, Single row, Without flange, Felt seals on both side, wide inner ring



Technical specification

DIMENSIONS, MM

d	45,000
D	100,000
B	35,001
B1	24,994

WEIGHT, KG

1,361

MANUFACTURER

[NEW DEPARTURE](#)