

ULKZ205 RMB

Deep groove ball bearings

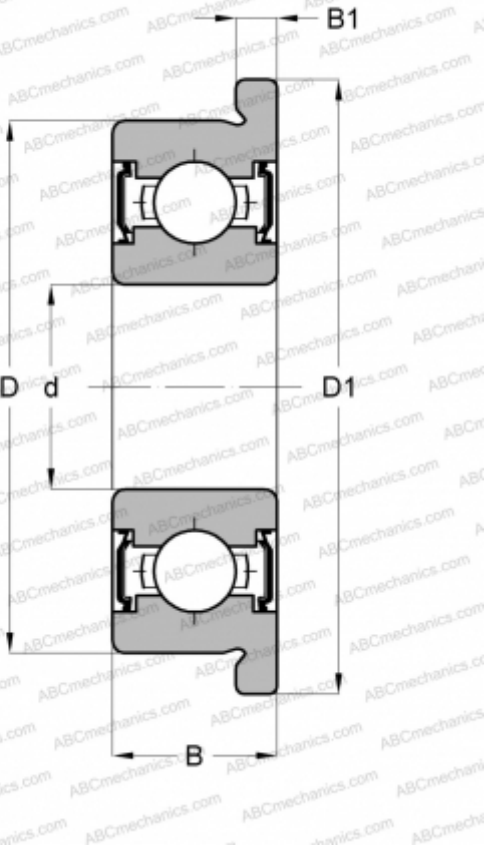
TYPE: Ball bearings, Radial ball bearings, Single row, With flange, With shields 2Z

MANUFACTURER

[RMB](#)

INTERCHANGE

ABC	F682 ZZ
EZO	F682ZZ
ADR	FBX2 ZZ
ISC	F682ZZS
NACHI	F682ZZ
NMB	LF -520ZZ
NTN	FLW682ZZA
NSK	F682ZZ
KOYO	WF682ZZ
GRW	F682-2Z
BARDEN	F682SS
MPB - TIMKEN	UL20FCHH
SUPER PRECISION	
EZO	F682XZZ
ADR	FAX2.5 ZZ
ISC	F682XZZS
NACHI	F68/2.5ZZ
NMB	LF -625ZZ
NTN	FLW68/2.5ZZA
RMB	ULKZ256
NSK	F682XZZ
KOYO	WF68/2.5ZZ
GRW	F69/2.5-2Z
BARDEN	F68/2.5SS



DIMENSIONS, MM

d	2,000
D	5,000
D1	6,100
B	2,300
B1	0,600

WEIGHT, KG

0,001