

## F692ZZ EZO

Deep groove ball bearings

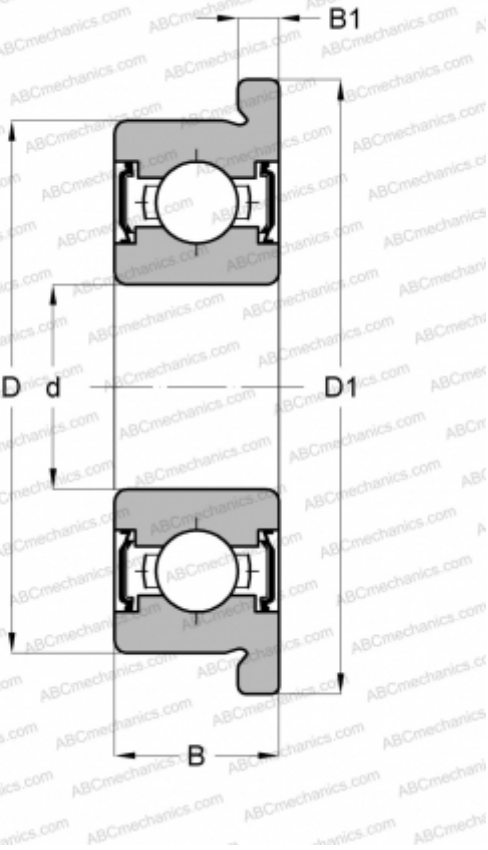
TYPE: Ball bearings, Radial ball bearings, Single row, With flange, With shields 2Z

### MANUFACTURER

[EZO](#)

### INTERCHANGE

ABC	<a href="#">F692 ZZ</a>
ADR	<a href="#">FAX2 ZZ</a>
ISC	<a href="#">F692ZZS</a>
NACHI	<a href="#">F692ZZ</a>
NMB	<a href="#">RF-620ZZ</a>
NTN	<a href="#">FLW692ZZA</a>
NSK	<a href="#">F692ZZ</a>
KOYO	<a href="#">WF692ZZ</a>
BARDEN	<a href="#">F692SS</a>
EZO	<a href="#">F692XZZ</a>
ADR	<a href="#">FX2.5 ZZ</a>
ISC	<a href="#">F692XZZS</a>
NACHI	<a href="#">F69/2.5ZZ</a>
NMB	<a href="#">RF-725ZZ</a>
NTN	<a href="#">FLW69/2.5ZZA</a>
NSK	<a href="#">F692XZZ</a>
KOYO	<a href="#">WF69/2.5ZZ</a>
GRW	<a href="#">F68/2.5-2Z</a>
BARDEN	<a href="#">F69/2.5SS</a>



### DIMENSIONS, MM

d	2,000
D	6,000
D1	7,500
B	3,000
B1	0,800

**WEIGHT, KG** 0,001