

FAX2 ZZ ADR

Deep groove ball bearings

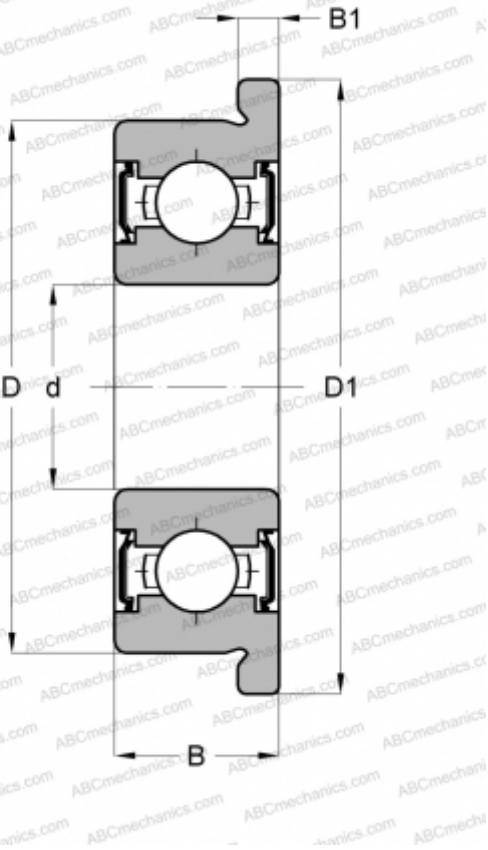
TYPE: Ball bearings, Radial ball bearings, Single row, With flange, With shields 2Z

MANUFACTURER

[ADR](#)

INTERCHANGE

ABC	F692 ZZ
EZO	F692ZZ
ISC	F692ZZS
NACHI	F692ZZ
NMB	RF-620ZZ
NTN	FLW692ZZA
NSK	F692ZZ
KOYO	WF692ZZ
BARDEN	F692SS
EZO	F692XZZ
ADR	FX2.5 ZZ
ISC	F692XZZS
NACHI	F69/2.5ZZ
NMB	RF-725ZZ
NTN	FLW69/2.5ZZA
NSK	F692XZZ
KOYO	WF69/2.5ZZ
GRW	F68/2.5-2Z
BARDEN	F69/2.5SS



DIMENSIONS, MM

d	2,000
D	6,000
D1	7,500
B	3,000
B1	0,800

WEIGHT, KG 0,001