

## F68/2.5ZZ NACHI

Deep groove ball bearings

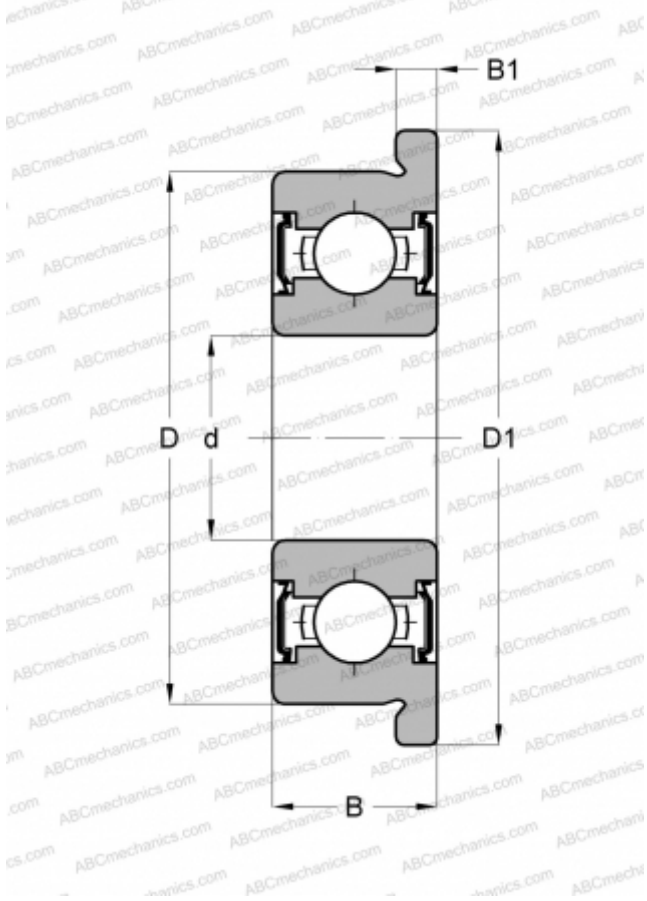
TYPE: Ball bearings, Radial ball bearings, Single row, With flange, With shields 2Z

### MANUFACTURER

[NACHI](#)

### INTERCHANGE

ABC	<a href="#">F682 ZZ</a>
EZO	<a href="#">F682ZZ</a>
ADR	<a href="#">FBX2 ZZ</a>
ISC	<a href="#">F682ZZS</a>
NACHI	<a href="#">F682ZZ</a>
NMB	<a href="#">LF -520ZZ</a>
NTN	<a href="#">FLW682ZZA</a>
RMB	<a href="#">ULKZ205</a>
NSK	<a href="#">F682ZZ</a>
KOYO	<a href="#">WF682ZZ</a>
GRW	<a href="#">F682-2Z</a>
BARDEN	<a href="#">F682SS</a>
MPB - TIMKEN	<a href="#">UL20FCHH</a>
SUPER PRECISION	
EZO	<a href="#">F682XZZ</a>
ADR	<a href="#">FAX2.5 ZZ</a>
ISC	<a href="#">F682XZZS</a>
NMB	<a href="#">LF -625ZZ</a>
NTN	<a href="#">FLW68/2.5ZZA</a>
RMB	<a href="#">ULKZ256</a>
NSK	<a href="#">F682XZZ</a>
KOYO	<a href="#">WF68/2.5ZZ</a>
GRW	<a href="#">F69/2.5-2Z</a>
BARDEN	<a href="#">F68/2.5SS</a>



### DIMENSIONS, MM

d	2,500
D	6,000
D1	7,100
B	2,600
B1	0,800

### WEIGHT, KG

0,001