

## F68/2.5-2Z GRW

Deep groove ball bearings

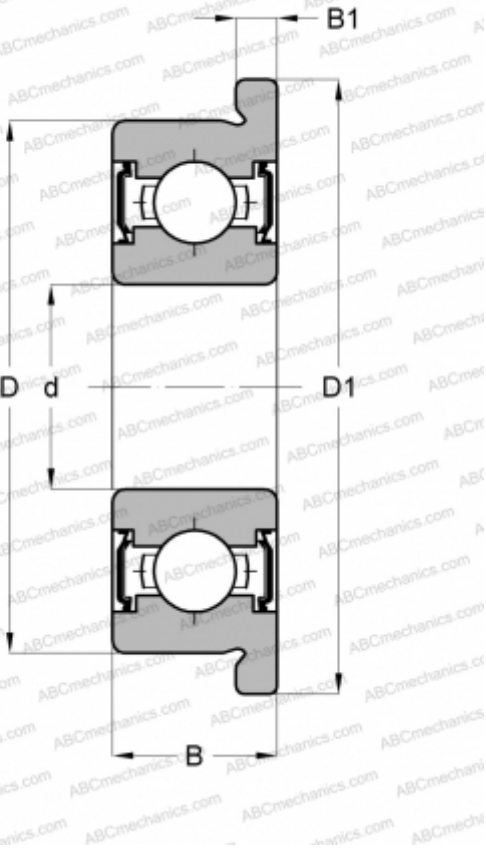
TYPE: Ball bearings, Radial ball bearings, Single row, With flange, With shields 2Z

### MANUFACTURER

[GRW](#)

### INTERCHANGE

|        |                              |
|--------|------------------------------|
| ABC    | <a href="#">F692 ZZ</a>      |
| EZO    | <a href="#">F692ZZ</a>       |
| ADR    | <a href="#">FAX2 ZZ</a>      |
| ISC    | <a href="#">F692ZZS</a>      |
| NACHI  | <a href="#">F692ZZ</a>       |
| NMB    | <a href="#">RF-620ZZ</a>     |
| NTN    | <a href="#">FLW692ZZA</a>    |
| NSK    | <a href="#">F692ZZ</a>       |
| KOYO   | <a href="#">WF692ZZ</a>      |
| BARDEN | <a href="#">F692SS</a>       |
| EZO    | <a href="#">F692XZZ</a>      |
| ADR    | <a href="#">FX2.5 ZZ</a>     |
| ISC    | <a href="#">F692XZZS</a>     |
| NACHI  | <a href="#">F69/2.5ZZ</a>    |
| NMB    | <a href="#">RF-725ZZ</a>     |
| NTN    | <a href="#">FLW69/2.5ZZA</a> |
| NSK    | <a href="#">F692XZZ</a>      |
| KOYO   | <a href="#">WF69/2.5ZZ</a>   |
| BARDEN | <a href="#">F69/2.5SS</a>    |



### DIMENSIONS, MM

|    |       |
|----|-------|
| d  | 2,500 |
| D  | 7,000 |
| D1 | 8,500 |
| B  | 3,500 |
| B1 | 0,900 |

**WEIGHT, KG** 0,001