

F69/2.5SS BARDEN

Deep groove ball bearings

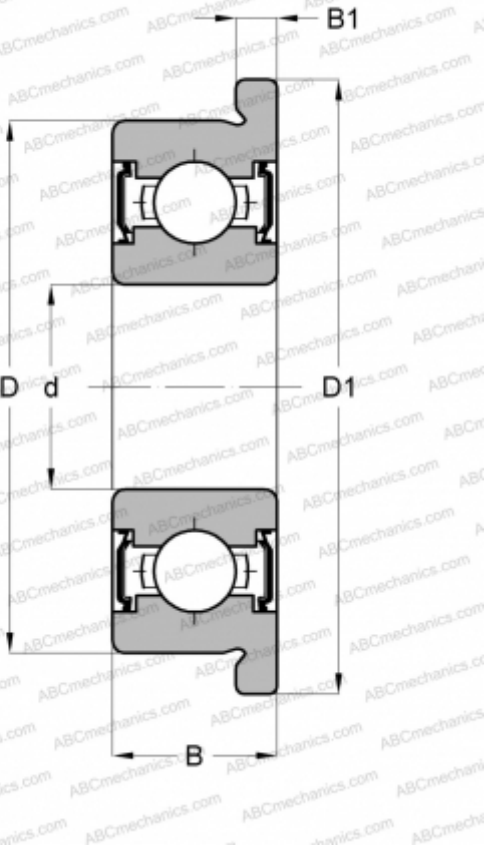
TYPE: Ball bearings, Radial ball bearings, Single row, With flange, With shields 2Z

MANUFACTURER

[BARDEN](#)

INTERCHANGE

| | |
|--------|------------------------------|
| ABC | F692 ZZ |
| EZO | F692ZZ |
| ADR | FAX2 ZZ |
| ISC | F692ZZS |
| NACHI | F692ZZ |
| NMB | RF-620ZZ |
| NTN | FLW692ZZA |
| NSK | F692ZZ |
| KOYO | WF692ZZ |
| BARDEN | F692SS |
| EZO | F692XZZ |
| ADR | FX2.5 ZZ |
| ISC | F692XZZS |
| NACHI | F69/2.5ZZ |
| NMB | RF-725ZZ |
| NTN | FLW69/2.5ZZA |
| NSK | F692XZZ |
| KOYO | WF69/2.5ZZ |
| GRW | F68/2.5-ZZ |



DIMENSIONS, MM

| | |
|----|-------|
| d | 2,500 |
| D | 7,000 |
| D1 | 8,500 |
| B | 3,500 |
| B1 | 0,900 |

WEIGHT, KG 0,001