

## F4763B-2Z GRW

Deep groove ball bearings

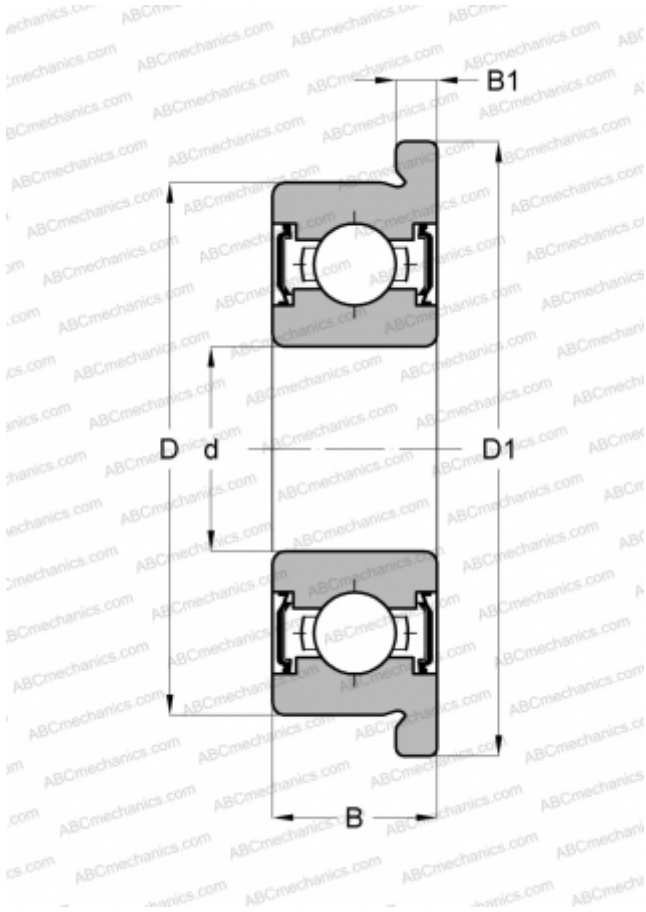
TYPE: Ball bearings, Radial ball bearings, Single row, With flange, With shields 2Z, inch size

### MANUFACTURER

[GRW](#)

### INTERCHANGE

ABC	<a href="#">FR166 ZZ</a>
EZO	<a href="#">FR166ZZ</a>
ADR	<a href="#">FX3/16ZZ</a>
ISC	<a href="#">FR166ZZS</a>
NMB	<a href="#">R1F-6632ZZ</a>
NTN	<a href="#">FLR166ZZA</a>
RMB	<a href="#">ULKZ6012X</a>
SKF	<a href="#">FX3/16ZZ</a>
BARDEN	<a href="#">FR166SS</a>
MPB - TIMKEN	<a href="#">6316FCHH</a>
SUPER PRECISION	
FAG	<a href="#">RF1624. 2Z</a>
ABC	<a href="#">FR168 ZZ</a>
EZO	<a href="#">FR168ZZ</a>
ADR	<a href="#">FX1/4ZZ</a>
ISC	<a href="#">FR168ZZS</a>
NMB	<a href="#">R1F-614ZZ</a>
NTN	<a href="#">FLRA168ZZA</a>
RMB	<a href="#">ULKZ8012X</a>
SKF	<a href="#">FX1/4ZZ</a>
GRW	<a href="#">F6350A-2Z</a>
BARDEN	<a href="#">FR168SS</a>
MPB - TIMKEN	<a href="#">614CHH</a>
SUPER PRECISION	



### DIMENSIONS, MM

d	4,763
D	9,525
D1	0,422
B	3,175
B1	0,031

### WEIGHT, KG

0,009