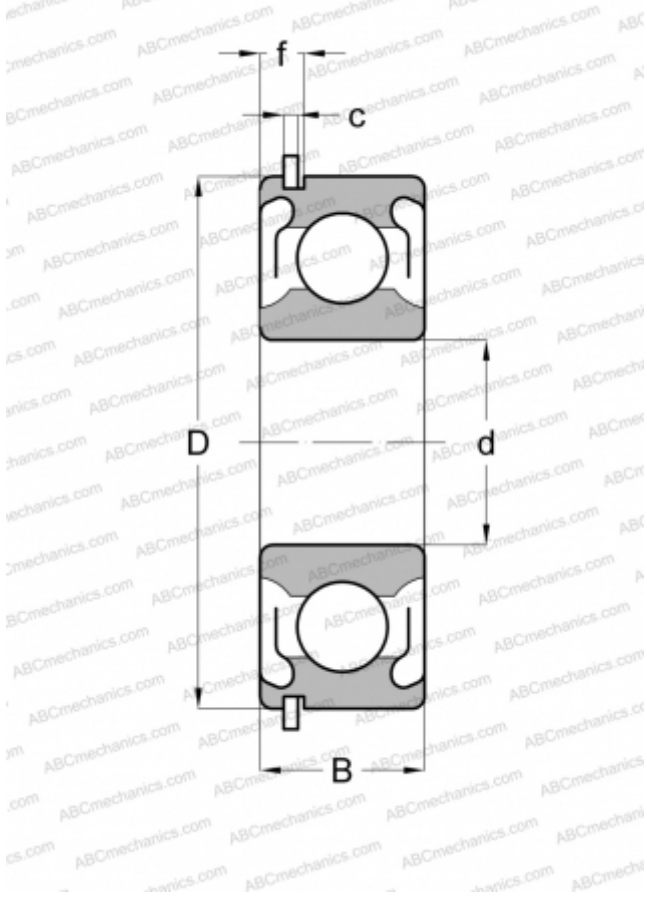


302-SZZG MRC

Deep groove ball bearings

TYPE: Ball bearings, Radial ball bearings, Single row, With snap ring groove, Snap ring, seals 2RS



Technical specification

DIMENSIONS, MM

d	15,000
D	42,000
B	13,000
f	3,404
c	1,346

WEIGHT, KG

0,086

MANUFACTURER

[MRC](#)

INTERCHANGE

ABC	6302 2RSNR
FAG	6302-2RSNR
STEYR	6302-2RSNR
NEW DEPARTURE	Z499602