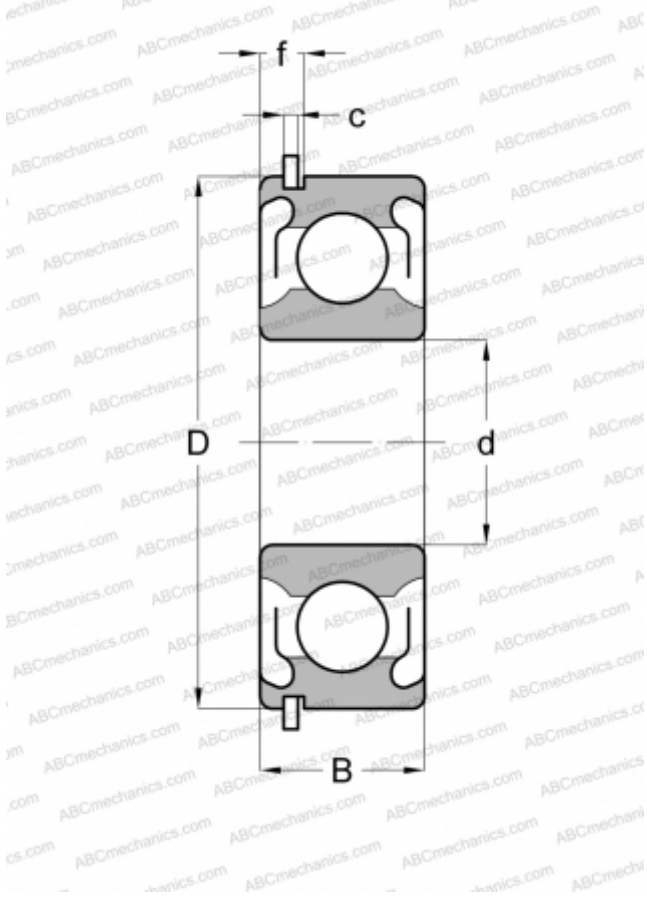


307-SZZG MRC

Deep groove ball bearings

TYPE: Ball bearings, Radial ball bearings, Single row, With snap ring groove, Snap ring, seals 2RS



Technical specification

DIMENSIONS, MM

d	35,000
D	80,000
B	21,000
f	5,156
c	1,880

WEIGHT, KG

0,458

MANUFACTURER

[MRC](#)

INTERCHANGE

ABC	6307 2RSNR
SKF	6307 2RSNR
FAG	6307-2RSNR
STEYR	6307-2RSNR
NEW DEPARTURE	Z499607