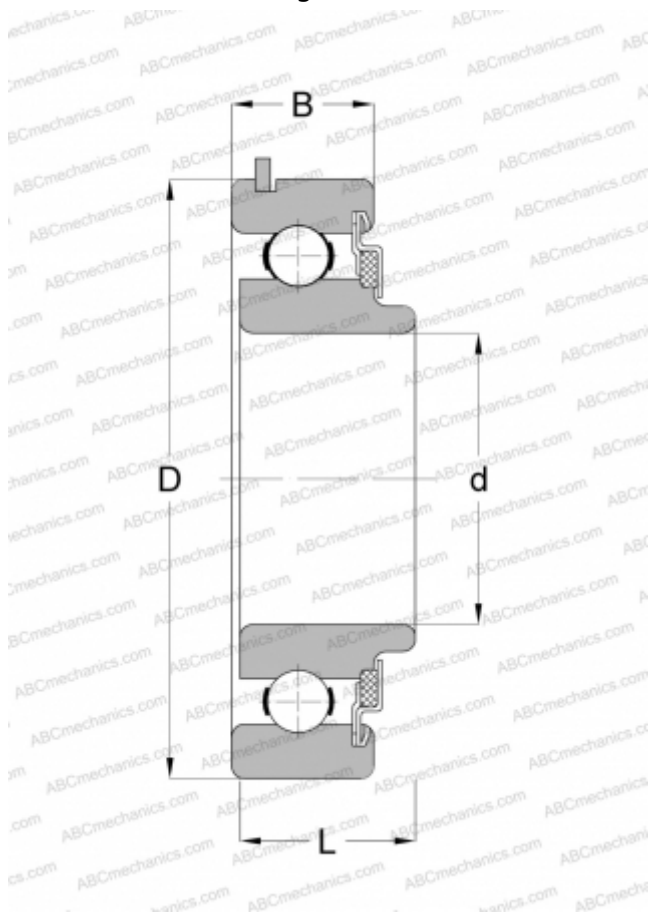


48501 NEW DEPARTURE

Deep groove ball bearings

TYPE: Ball bearings, Radial ball bearings, Single row, With snap ring groove, Snap ring, felt seals on one side, wide inner ring



Technical specification

DIMENSIONS, MM

d	12,000
D	32,000
B	12,700
B1	10,008

WEIGHT, KG

0,044

MANUFACTURER

[NEW DEPARTURE](#)

INTERCHANGE

[ABC 8501NR](#)