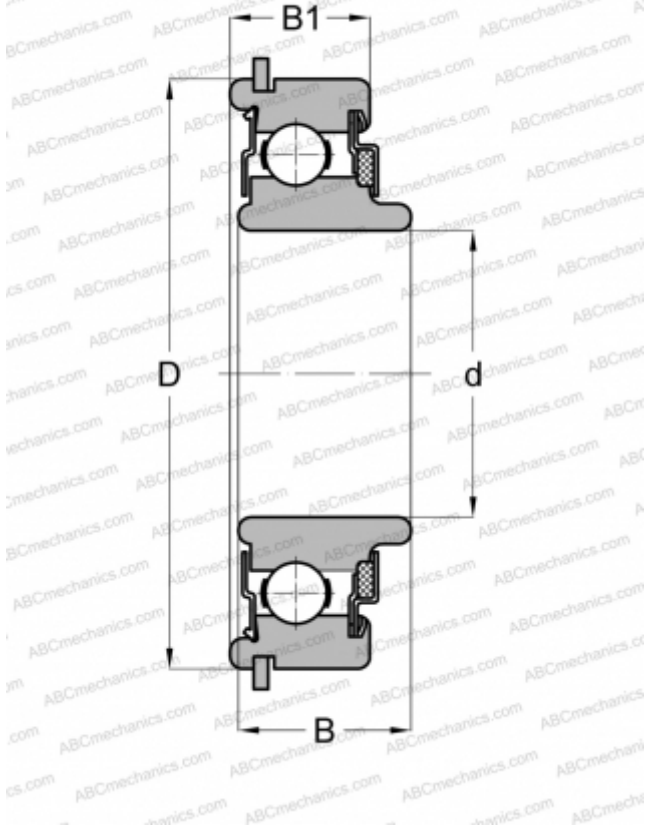


4870a6 NEW DEPARTURE

Deep groove ball bearings

TYPE: Ball bearings, Radial ball bearings, Single row, With snap ring groove, Snap ring, felt seals on one side, shield on second side, wide inner ring



Technical specification

DIMENSIONS, MM

d	26,000
D	52,000
B	15,875
B1	15,011

WEIGHT, KG

0,128

MANUFACTURER

[NEW DEPARTURE](#)

INTERCHANGE

[ABC 87026NR](#)