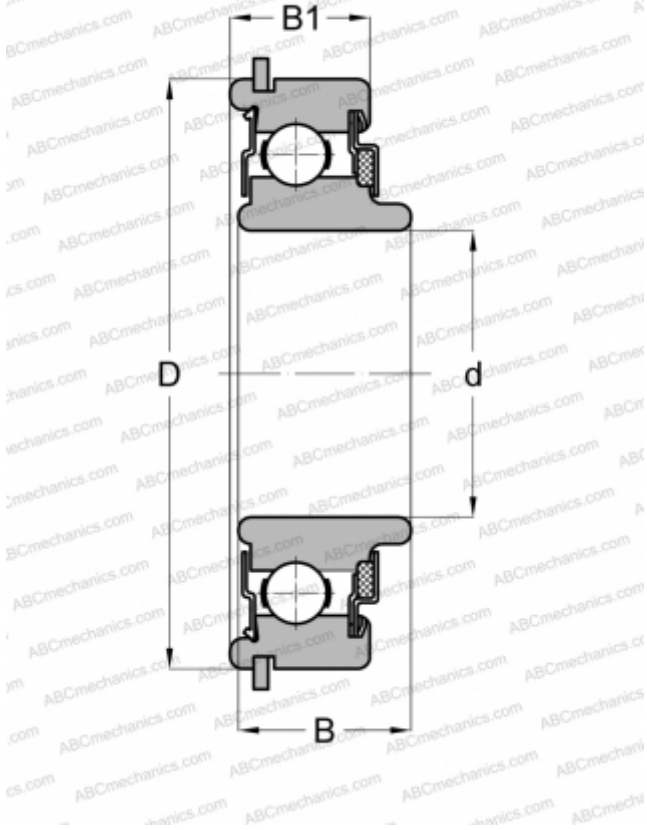


87510NR ABC

Deep groove ball bearings

TYPE: Ball bearings, Radial ball bearings, Single row, With snap ring groove, Snap ring, felt seals on one side, shield on second side, wide inner ring



Technical specification

DIMENSIONS, MM

| | |
|----|--------|
| d | 50,000 |
| D | 90,000 |
| B | 26,010 |
| B1 | 21,996 |

WEIGHT, KG

0,590

MANUFACTURER

[ABC](#)

INTERCHANGE

NEW DEPARTURE

[487510](#)