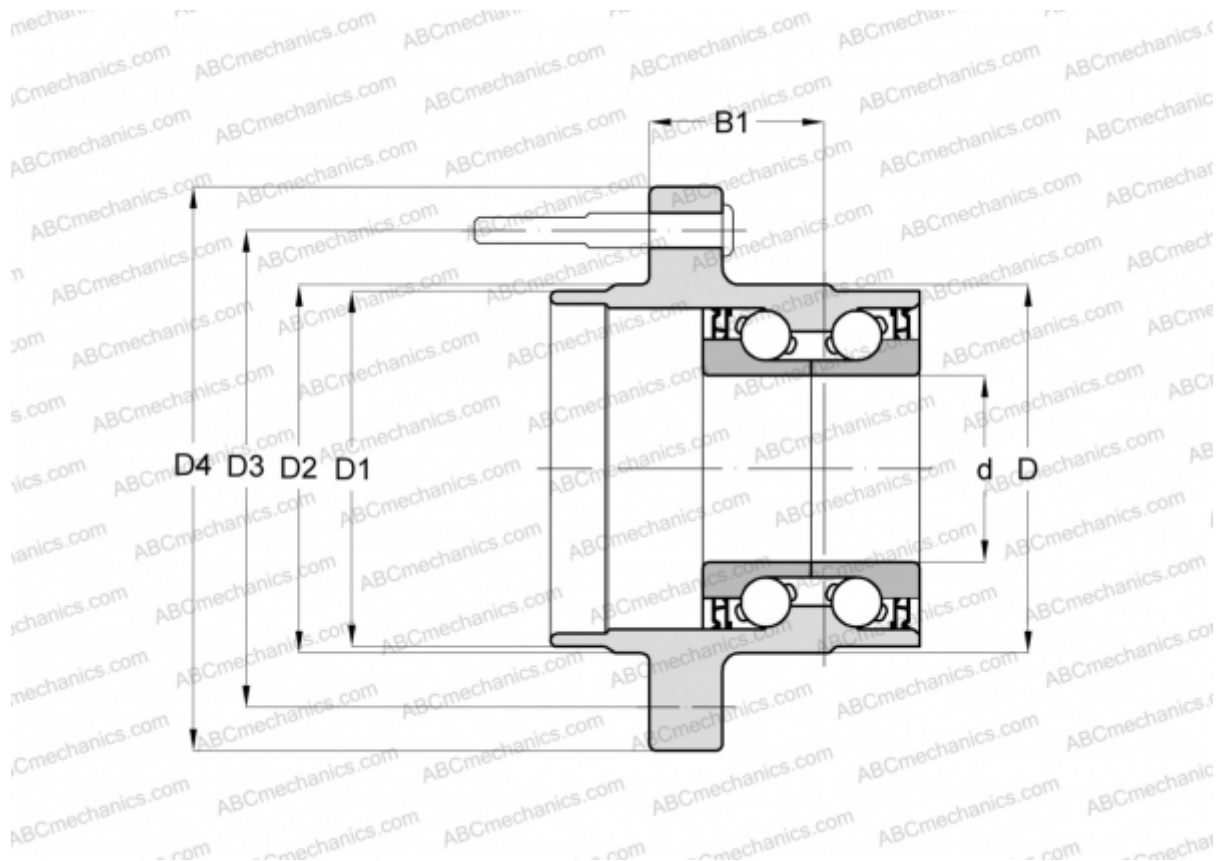


## 101007 FAG

Angular contact ball bearings

TYPE: Ball bearings, Angular contact ball bearing, Double row, Hub bearing (unit), FAG production, generation 2



### Technical specification

#### DIMENSIONS, MM

d	43,000
D	84,900
D1	81,950
D2	84,900
B1	40,250
T	107,000

#### MANUFACTURER

[FAG](#)