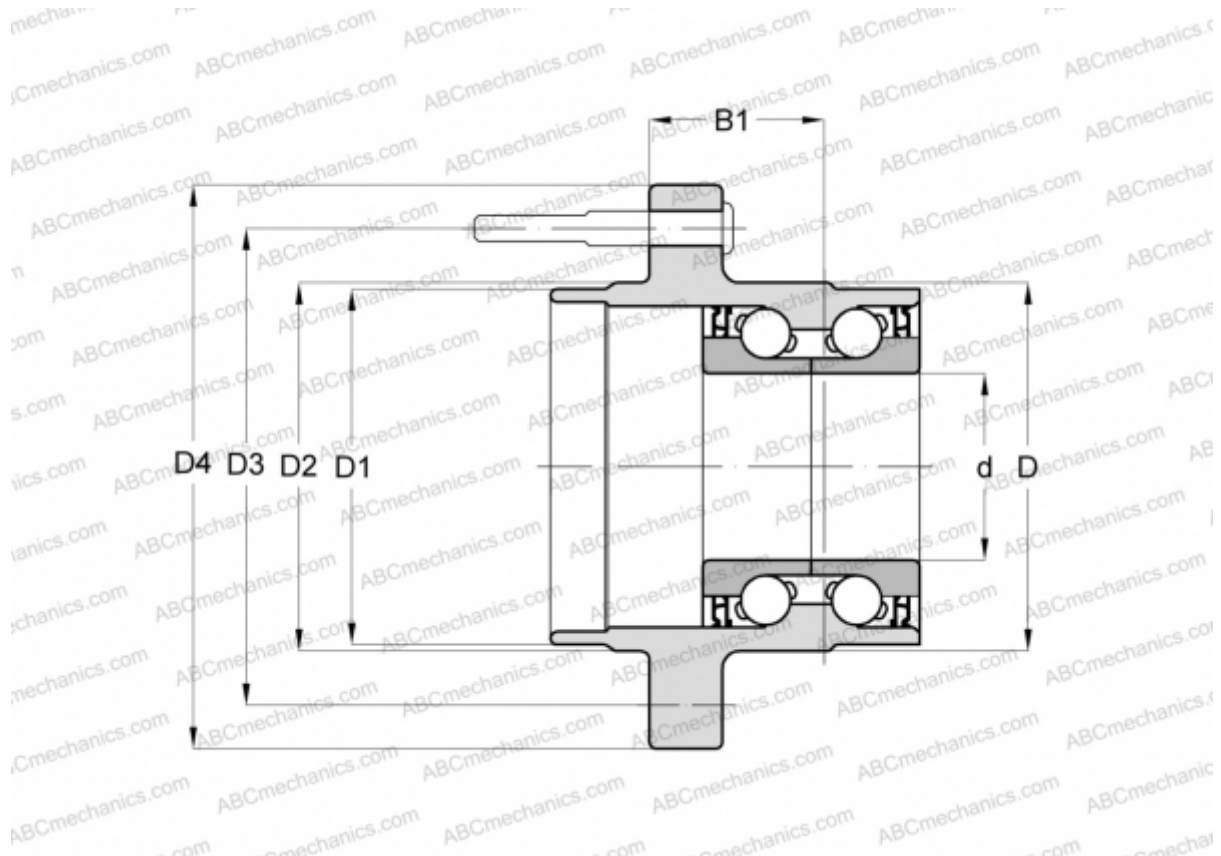


## 101469 FAG

Angular contact ball bearings

TYPE: Ball bearings, Angular contact ball bearing, Double row, Hub bearing (unit), FAG production, generation 2



### Technical specification

#### DIMENSIONS, MM

d	30,000
D	79,500
D1	51,800
D2	57,000
D3	112,000
D4	136,500
B1	47,000

#### MANUFACTURER

[FAG](#)