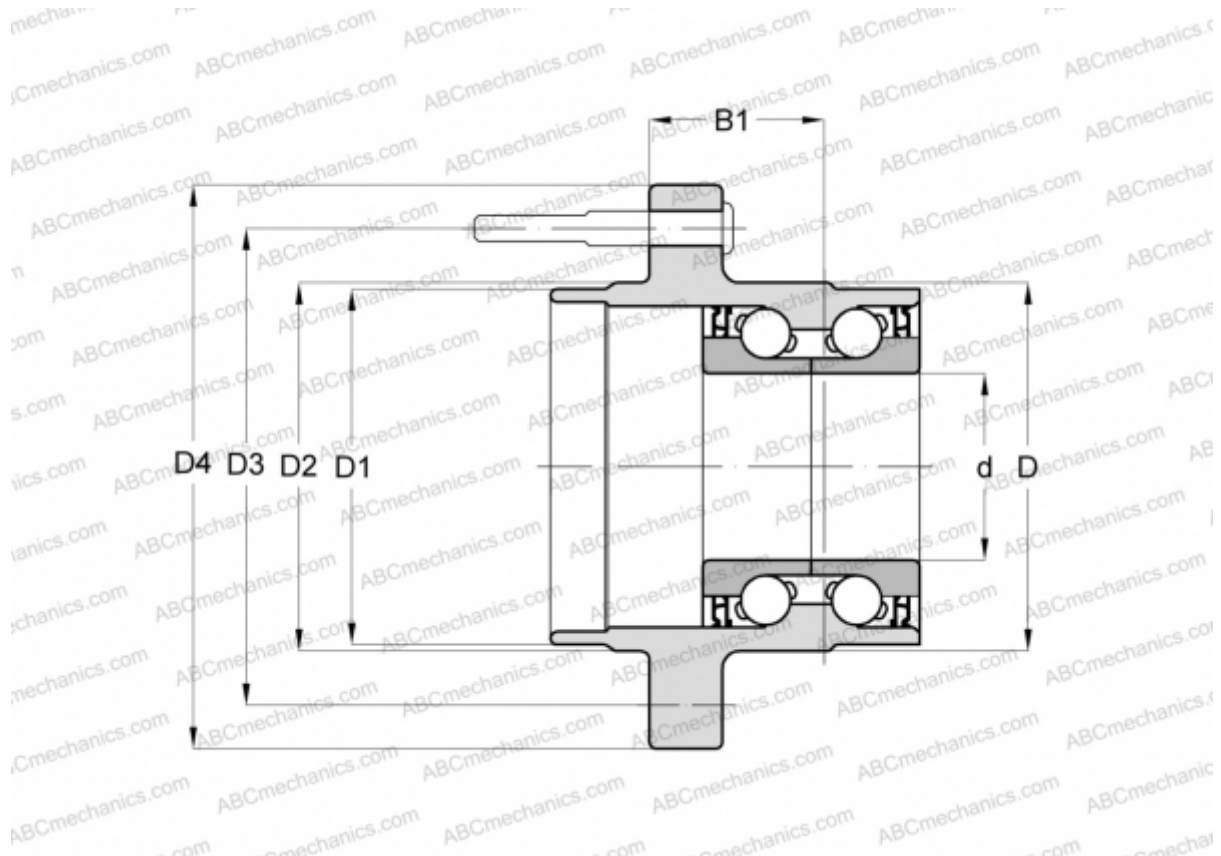


101872 FAG

Angular contact ball bearings

TYPE: Ball bearings, Angular contact ball bearing, Double row, Hub bearing (unit), FAG production, generation 2



Technical specification

DIMENSIONS, MM

d	44,000
D	100,000
D1	85,000
D2	85,000
D3	140,000
D4	154,000
B1	67,000

MANUFACTURER

[FAG](#)