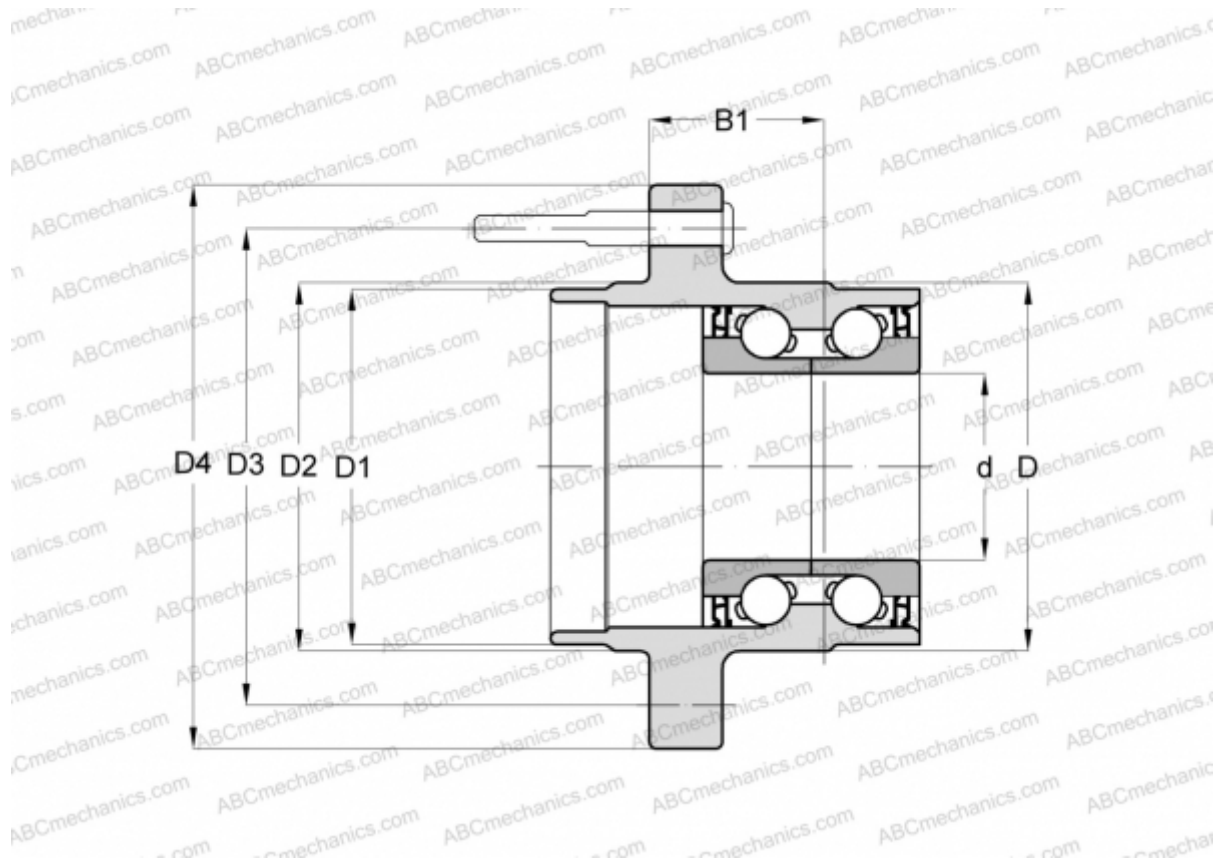


101876 FAG

Angular contact ball bearings

TYPE: Ball bearings, Angular contact ball bearing, Double row, Hub bearing (unit), FAG production, generation 2



Technical specification

DIMENSIONS, MM

d	54,000
D	96,000
D1	96,000
D2	102,700
D3	132,000
B1	51,000

MANUFACTURER

[FAG](#)