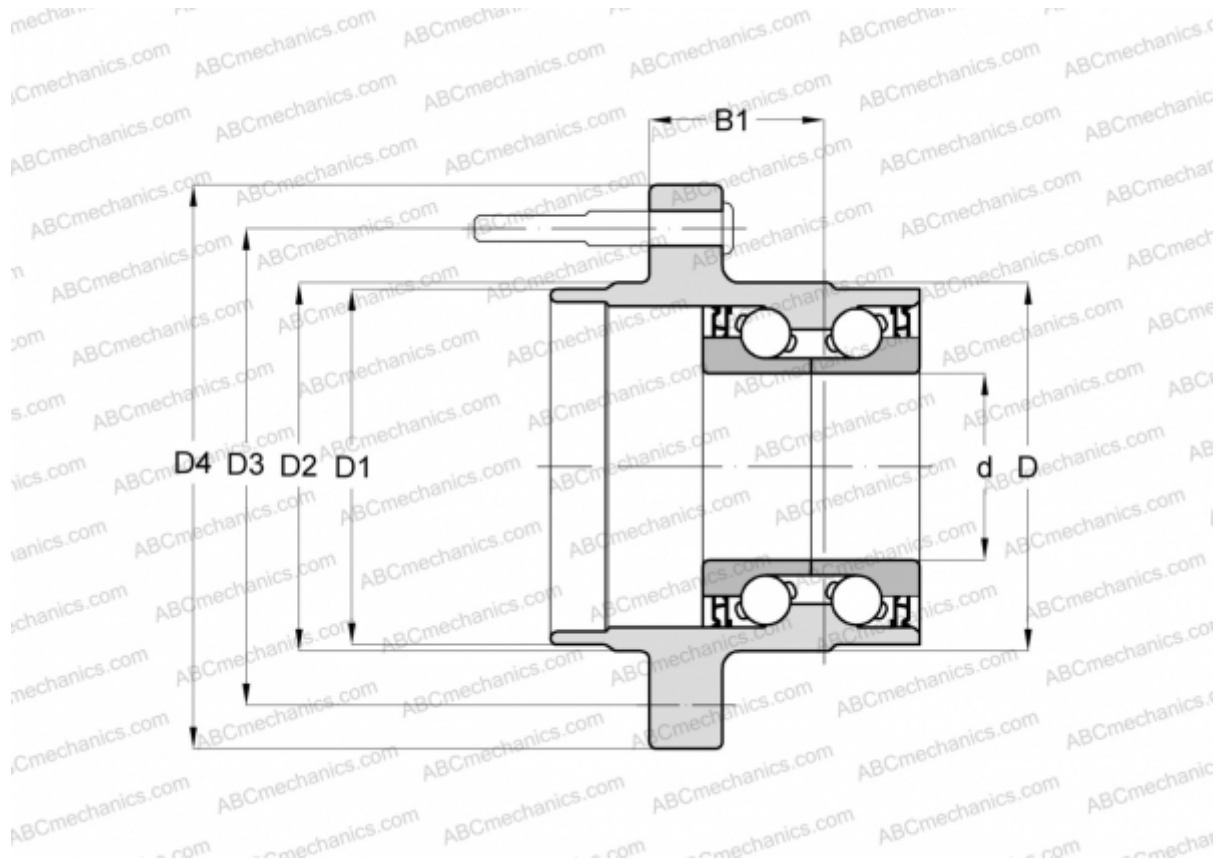


## 101891 FAG

Angular contact ball bearings

TYPE: Ball bearings, Angular contact ball bearing, Double row, Hub bearing (unit), FAG production, generation 2



### Technical specification

#### DIMENSIONS, MM

|    |         |
|----|---------|
| D  | 85,852  |
| D1 | 67,056  |
| D2 | 75,946  |
| D3 | 114,300 |
| D4 | 138,938 |
| B1 | 50,546  |

#### MANUFACTURER

[FAG](#)