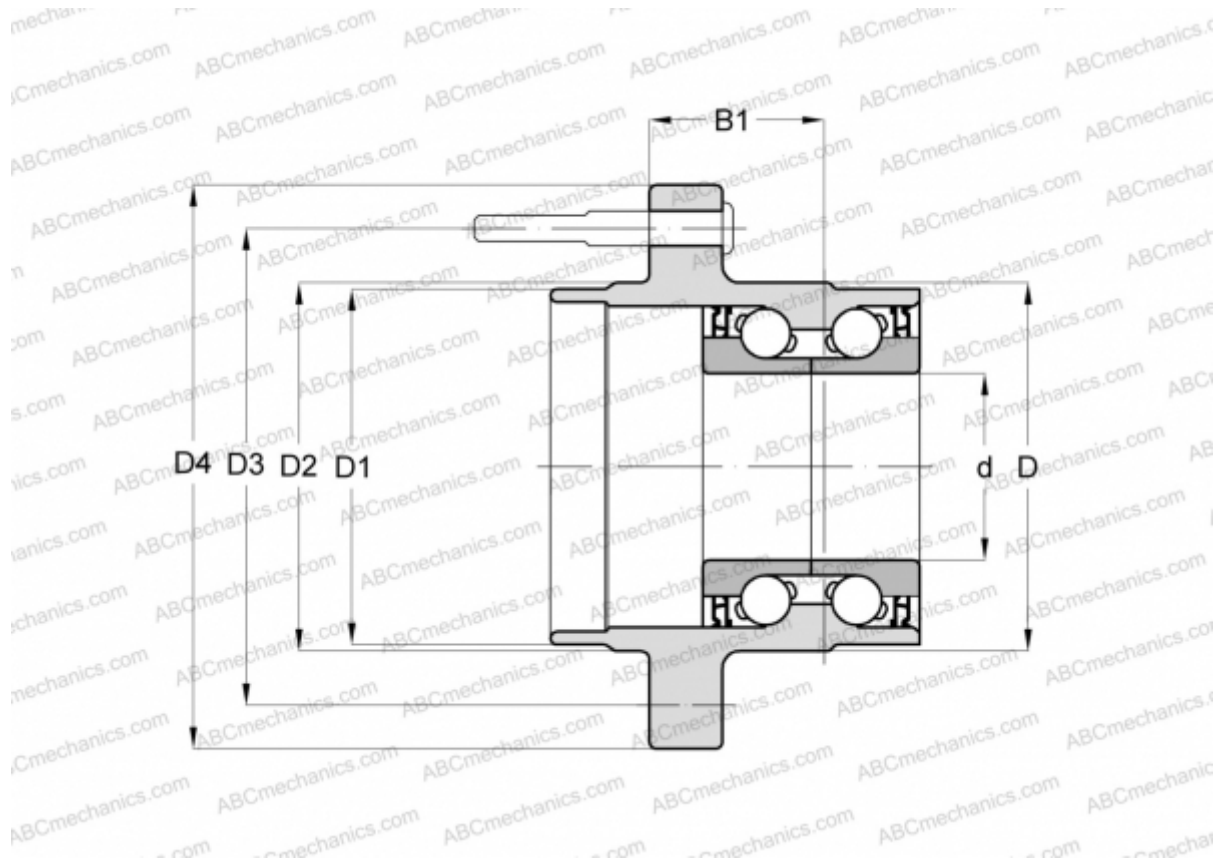


## 102080 FAG

Angular contact ball bearings

TYPE: Ball bearings, Angular contact ball bearing, Double row, Hub bearing (unit), FAG production, generation 2



### Technical specification

#### DIMENSIONS, MM

|    |         |
|----|---------|
| d  | 28,000  |
| D  | 66,000  |
| D1 | 57,000  |
| D2 | 57,250  |
| D3 | 100,000 |
| D4 | 135,200 |
| B1 | 59,000  |

#### MANUFACTURER

[FAG](#)