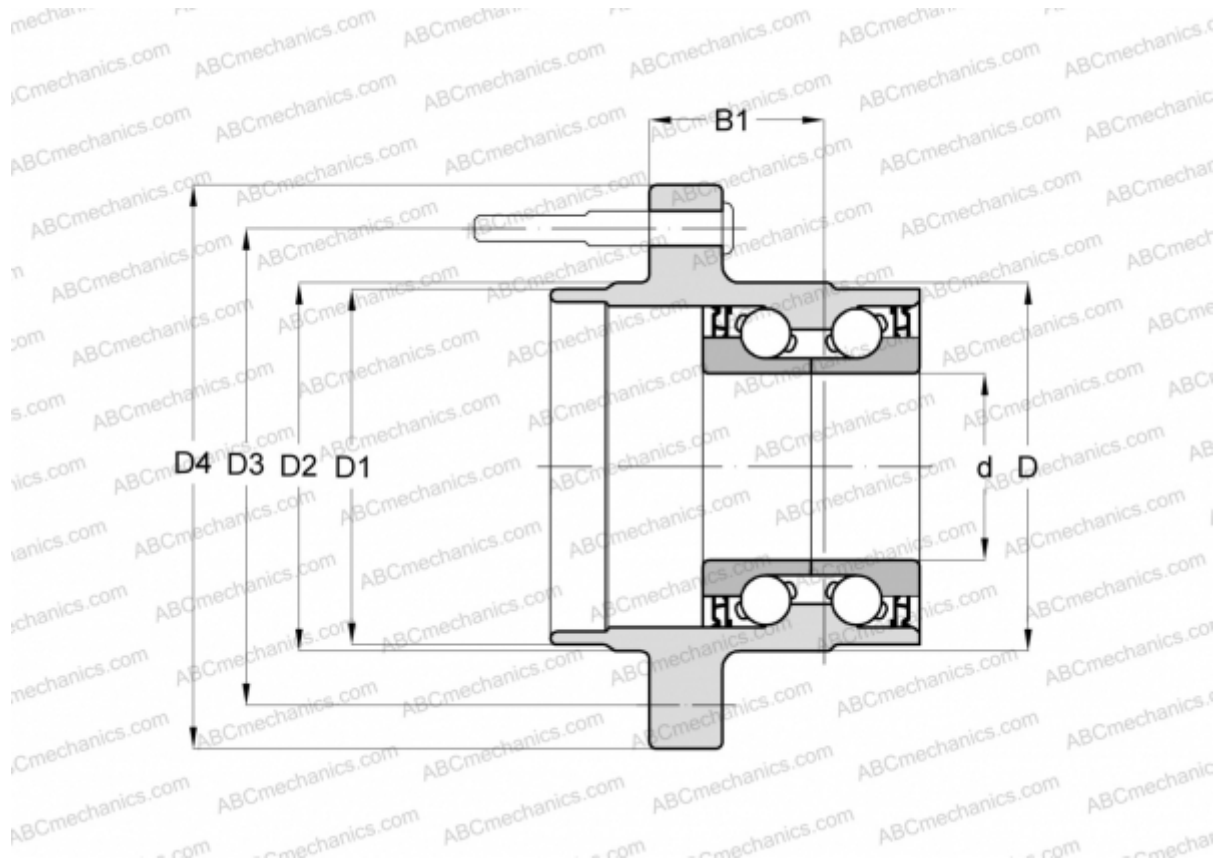


102147 FAG

Angular contact ball bearings

TYPE: Ball bearings, Angular contact ball bearing, Double row, Hub bearing (unit), FAG production, generation 2



Technical specification

DIMENSIONS, MM

D	66,523
D1	67,000
D2	89,800
D3	114,300
D4	140,000

MANUFACTURER

[FAG](#)