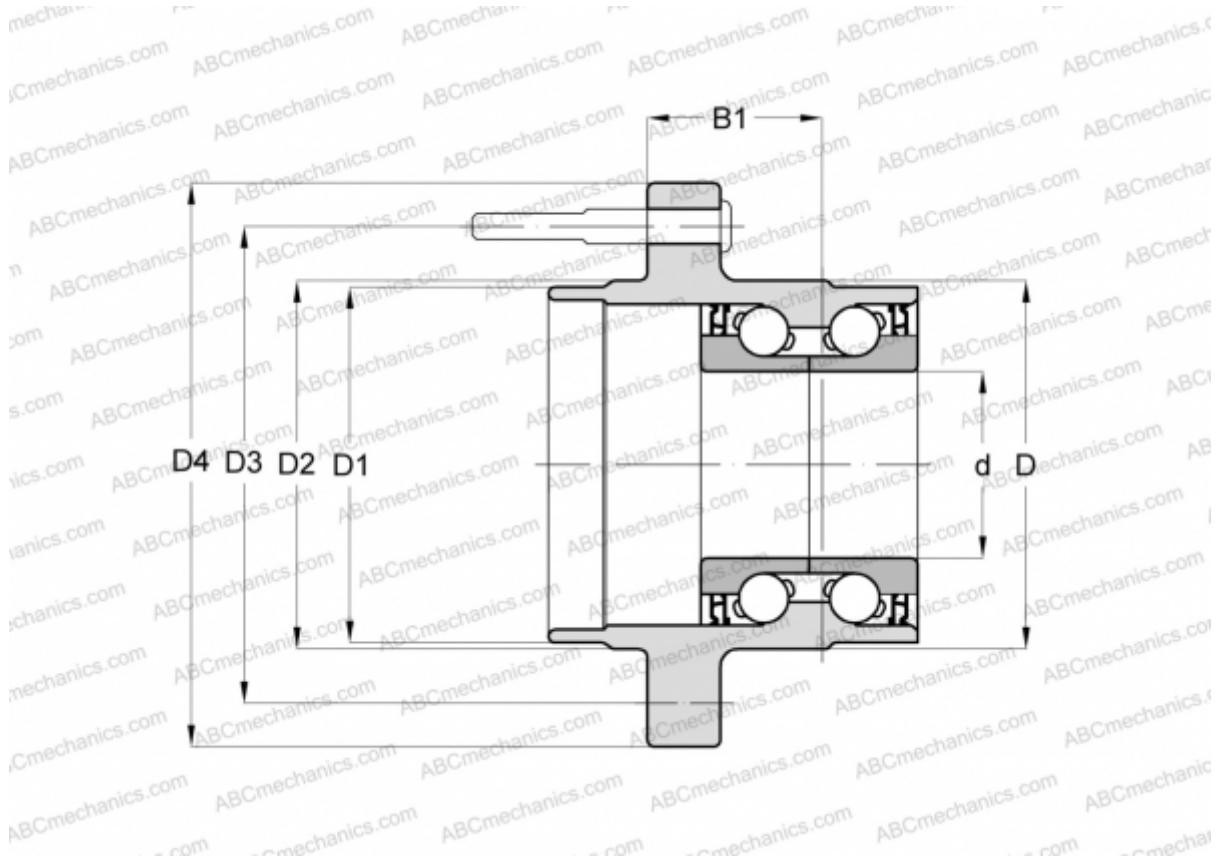


## 102253 FAG

Angular contact ball bearings

TYPE: Ball bearings, Angular contact ball bearing, Double row, Hub bearing (unit), FAG production, generation 2



### Technical specification

#### DIMENSIONS, MM

D	59,944
D1	59,944
D2	64,008
D3	114,300
D4	134,112
B1	48,006

#### MANUFACTURER

[FAG](#)