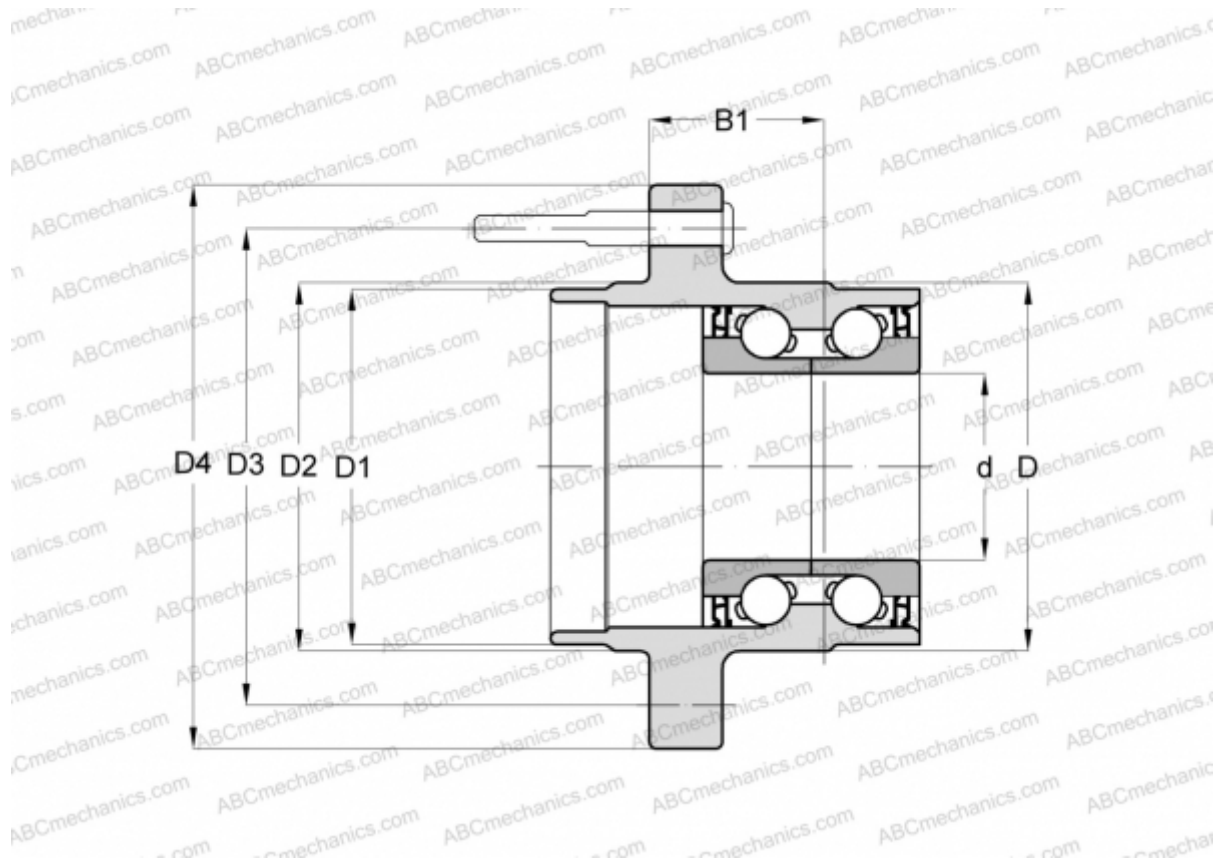


## 102333 FAG

Angular contact ball bearings

TYPE: Ball bearings, Angular contact ball bearing, Double row, Hub bearing (unit), FAG production, generation 2



### Technical specification

#### DIMENSIONS, MM

D	99,200
D1	94,500
D2	99,800
B1	58,500
T	140,000

#### MANUFACTURER

[FAG](#)