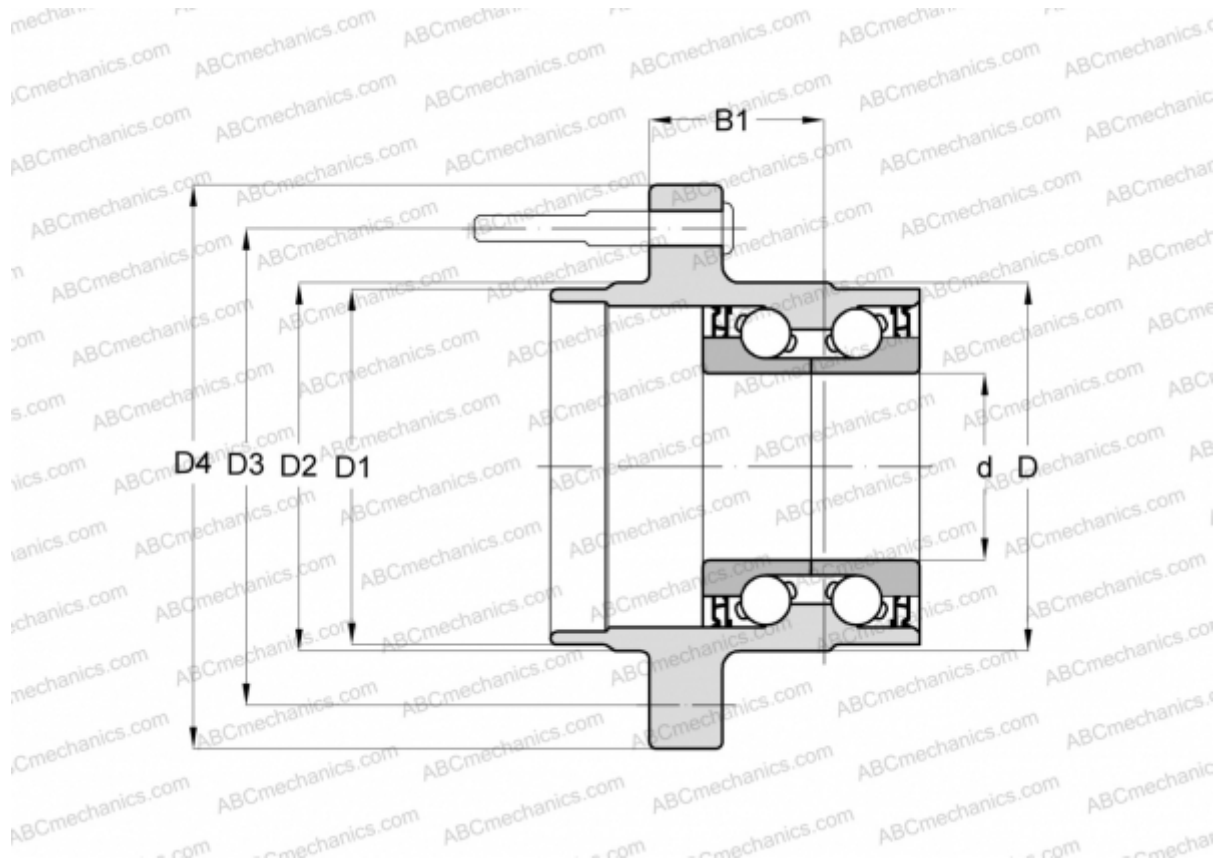


## 102364 FAG

Angular contact ball bearings

TYPE: Ball bearings, Angular contact ball bearing, Double row, Hub bearing (unit), FAG production, generation 2



### Technical specification

#### DIMENSIONS, MM

D	63,000
D1	54,000
D2	58,000
D3	100,000
D4	130,000

#### MANUFACTURER

[FAG](#)