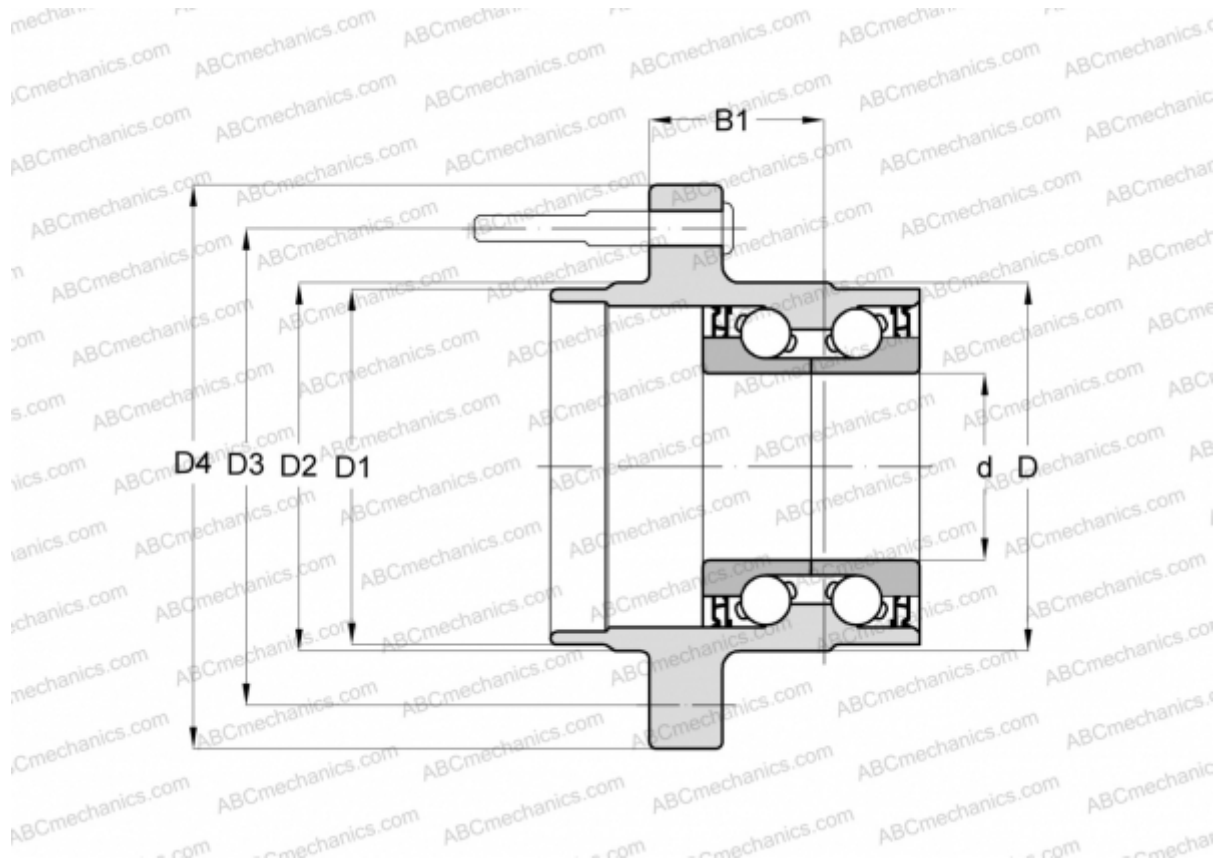


563438A1 FAG

Angular contact ball bearings

TYPE: Ball bearings, Angular contact ball bearing, Double row, Hub bearing (unit), FAG production, generation 2



Technical specification

DIMENSIONS, MM

d	61,000
D	100,000
D1	99,550
D2	101,720
B1	40,000
T	128,000

MANUFACTURER

[FAG](#)