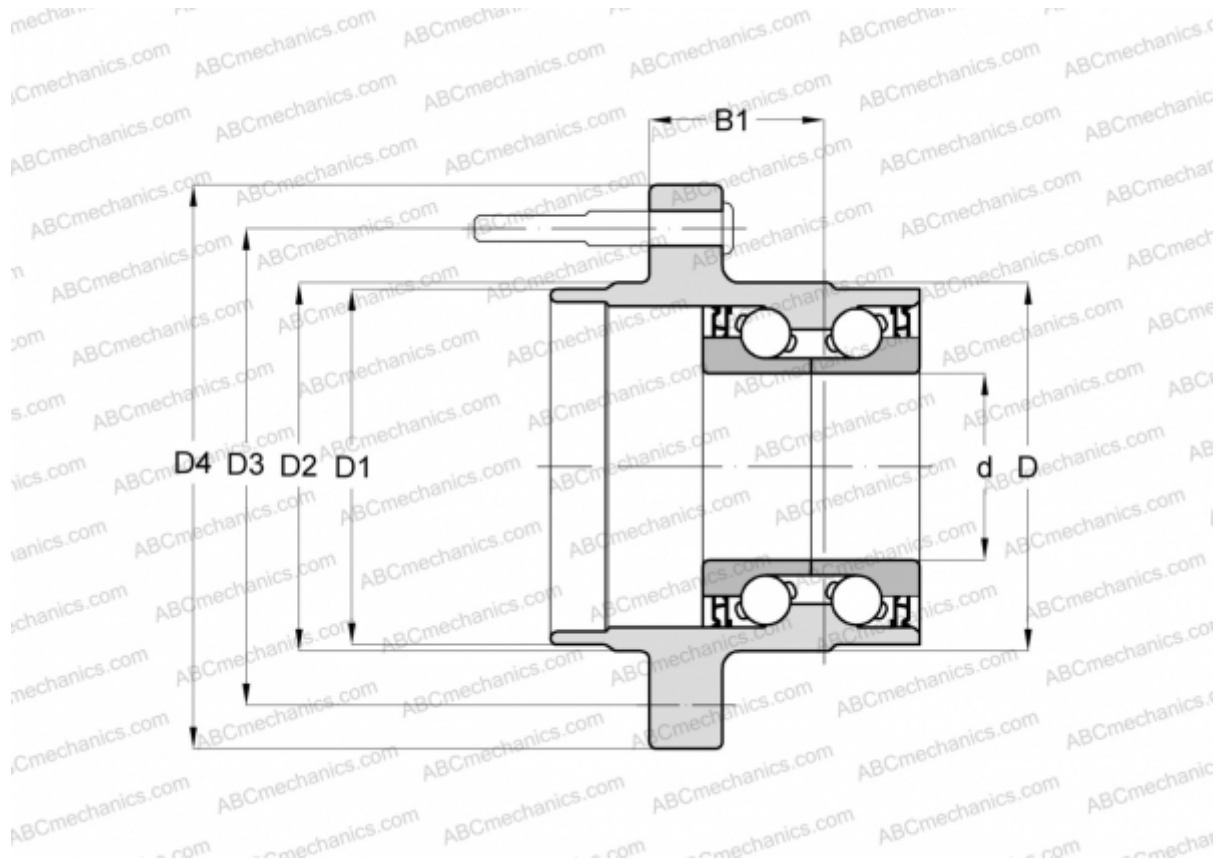


## 565747 FAG

Angular contact ball bearings

TYPE: Ball bearings, Angular contact ball bearing, Double row, Hub bearing (unit), FAG production, generation 2



### Technical specification

**MANUFACTURER**

[FAG](#)