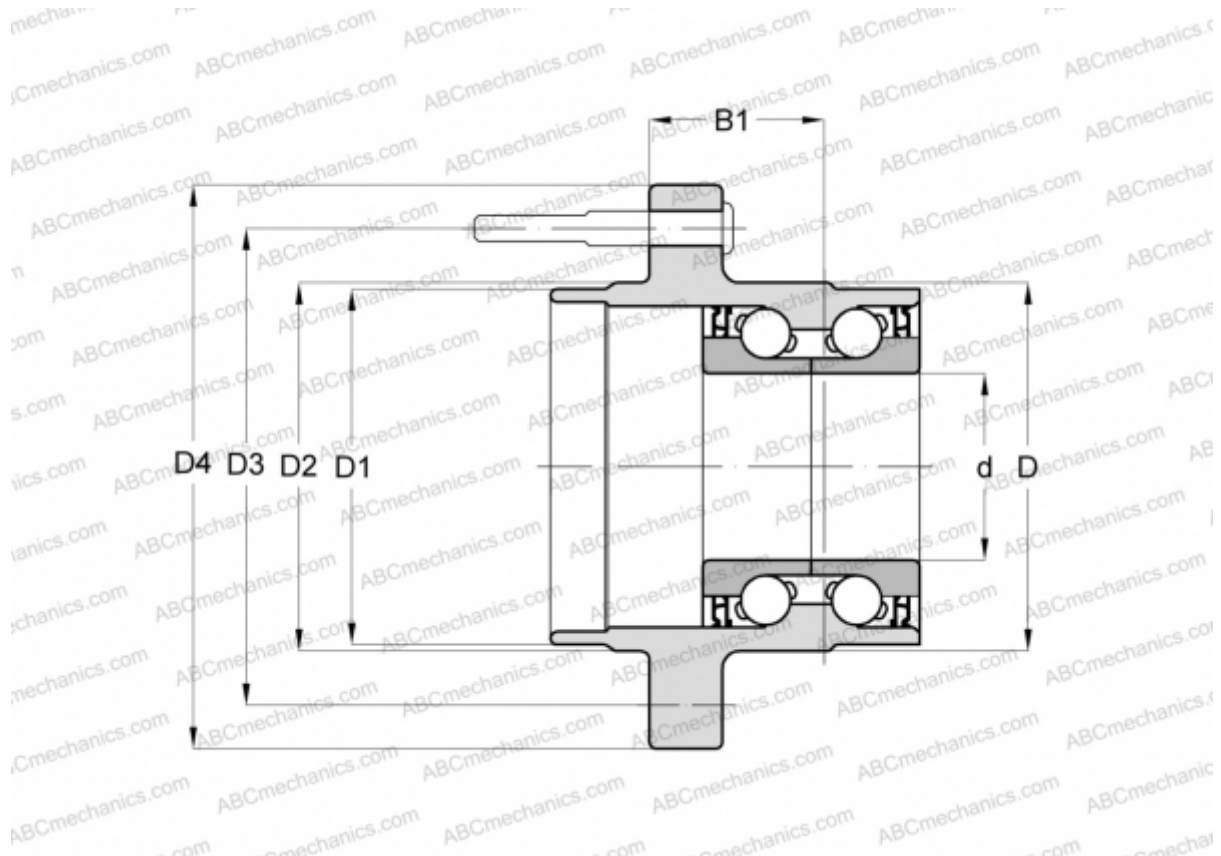


713668020 FAG

Angular contact ball bearings

TYPE: Ball bearings, Angular contact ball bearing, Double row, Hub bearing (unit), FAG production, generation 2



Technical specification

DIMENSIONS, MM

D	96,000
D1	83,940
D2	85,490
D3	129,380
D4	152,260
B1	105,000

MANUFACTURER

[FAG](#)