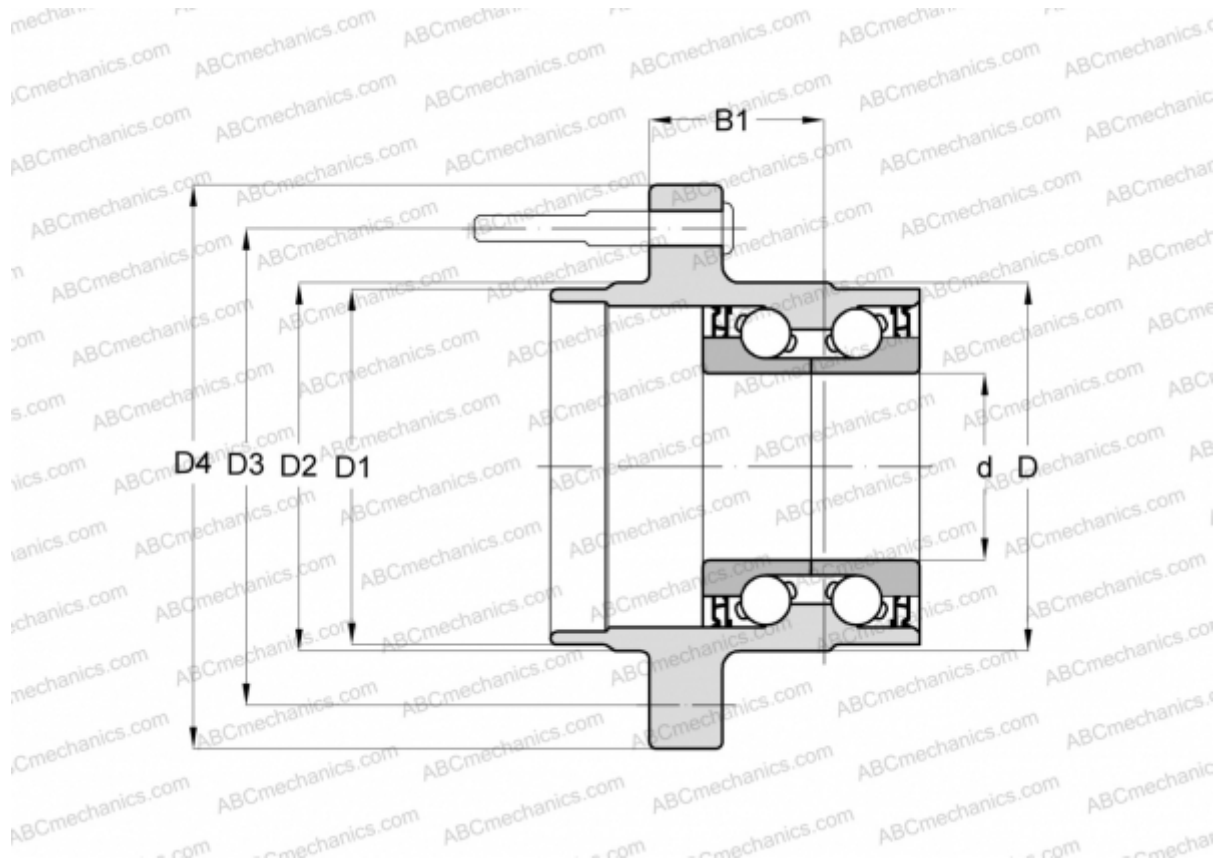


800179BA FAG

Angular contact ball bearings

TYPE: Ball bearings, Angular contact ball bearing, Double row, Hub bearing (unit), FAG production, generation 2



Technical specification

DIMENSIONS, MM

d	30,000
D	76,000
D1	57,000
D2	64,990
D3	100,000
D4	120,000
B1	61,500

MANUFACTURER

[FAG](#)