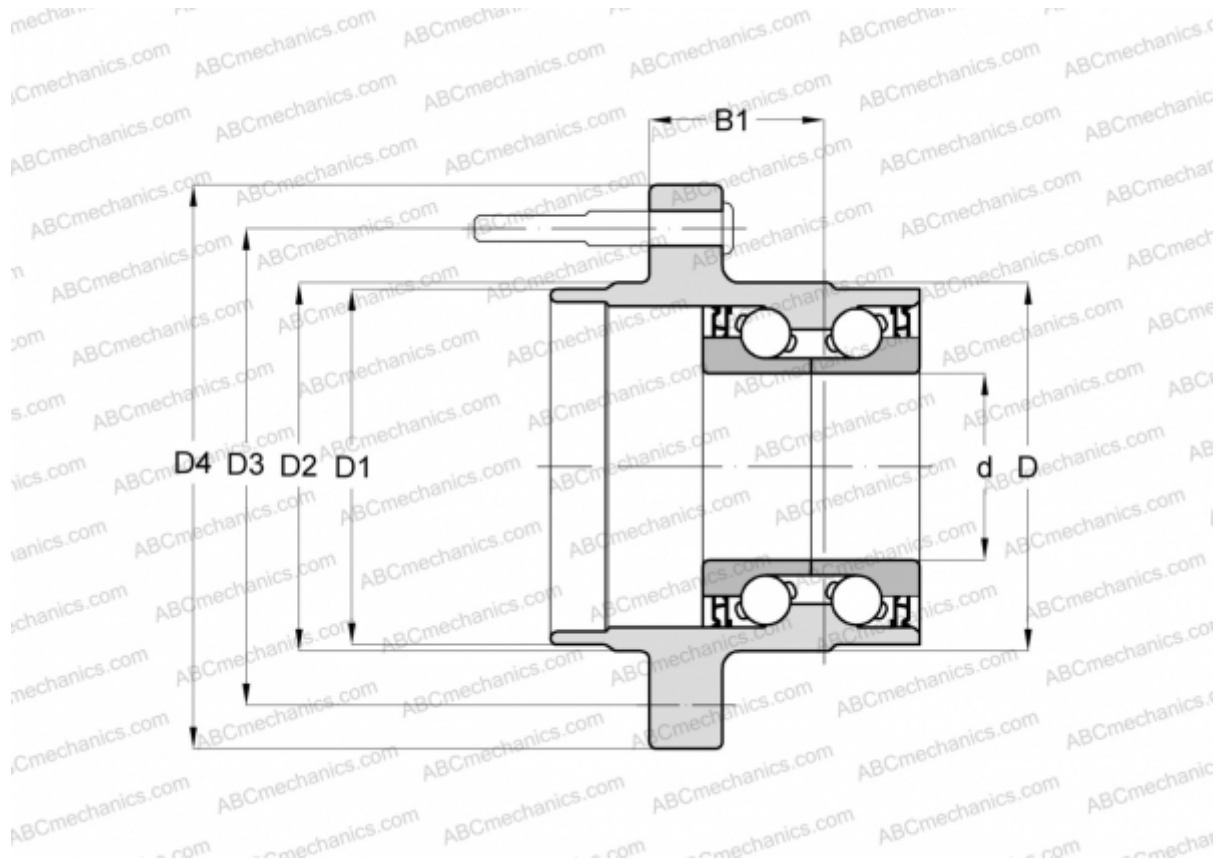


## 803191A FAG

Angular contact ball bearings

TYPE: Ball bearings, Angular contact ball bearing, Double row, Hub bearing (unit), FAG production, generation 2



### Technical specification

#### DIMENSIONS, MM

|    |         |
|----|---------|
| d  | 30,000  |
| D  | 74,000  |
| D1 | 57,700  |
| D2 | 59,400  |
| D3 | 100,000 |
| D4 | 117,000 |
| B1 | 45,200  |

#### MANUFACTURER

[FAG](#)