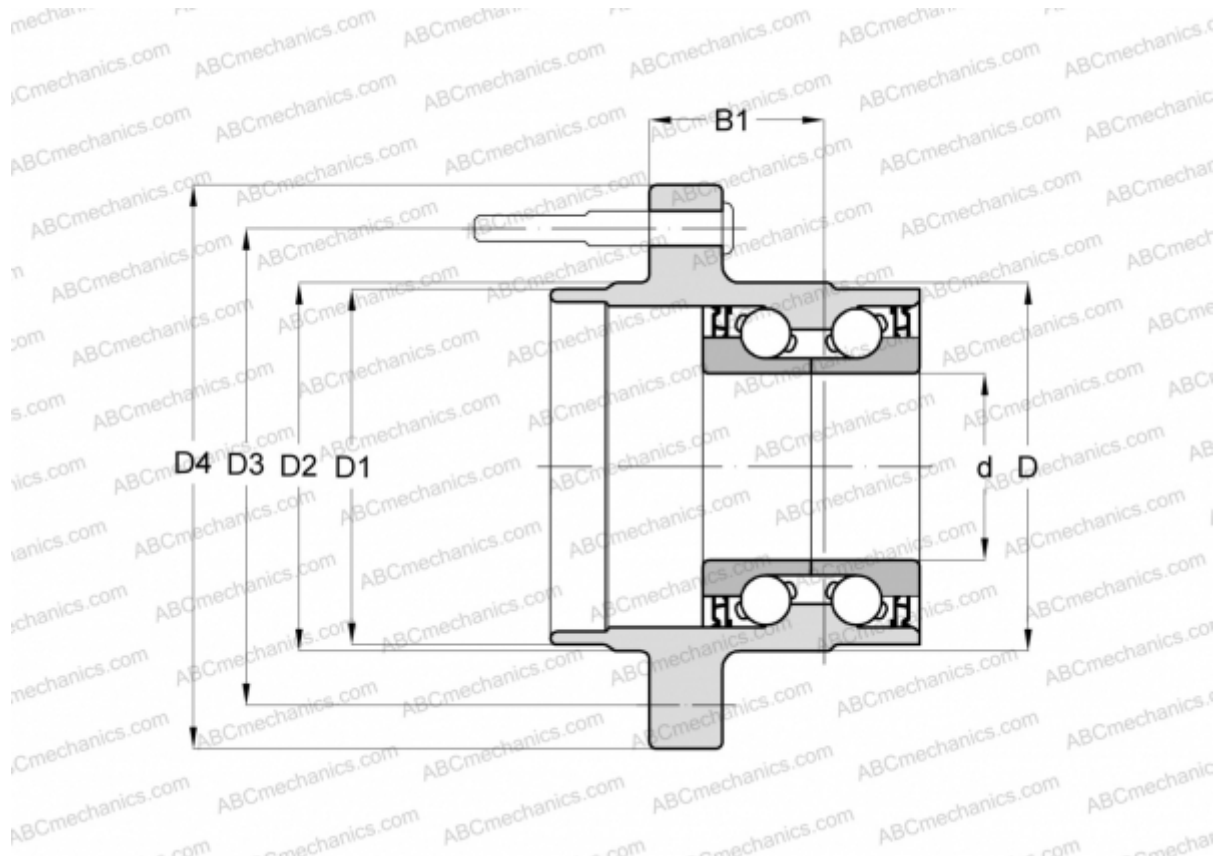


## 803755C FAG

Angular contact ball bearings

TYPE: Ball bearings, Angular contact ball bearing, Double row, Hub bearing (unit), FAG production, generation 2



### Technical specification

#### DIMENSIONS, MM

D1	32,004
D2	36,982
D3	111,989
D4	129,997

#### MANUFACTURER

[FAG](#)