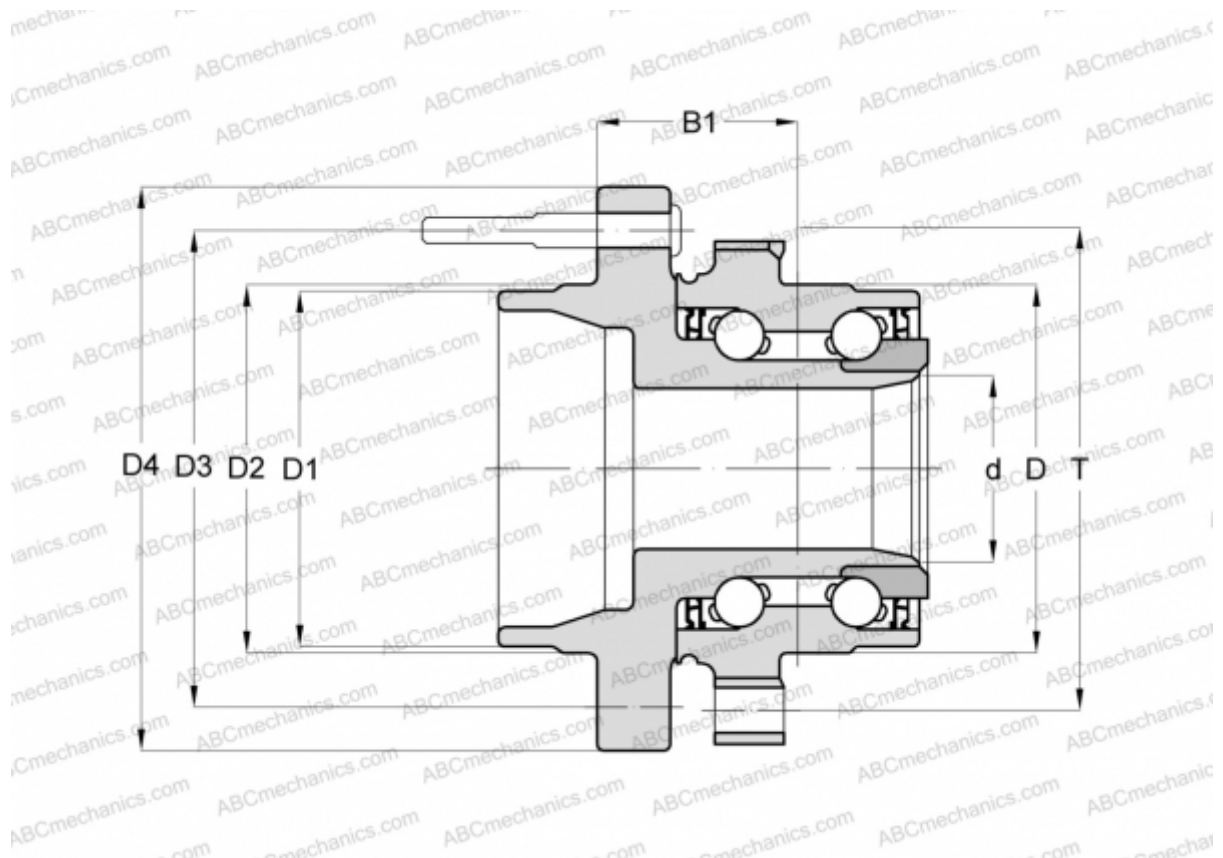


## 102151 FAG

Angular contact ball bearings

TYPE: Ball bearings, Angular contact ball bearing, Double row, Hub bearing (unit), FAG production, generation 3



### Technical specification

#### DIMENSIONS, MM

D	113,800
D1	124,900
D2	128,900
D3	170,000
D4	203,000
B1	54,500
T	140,000

#### MANUFACTURER

[FAG](#)