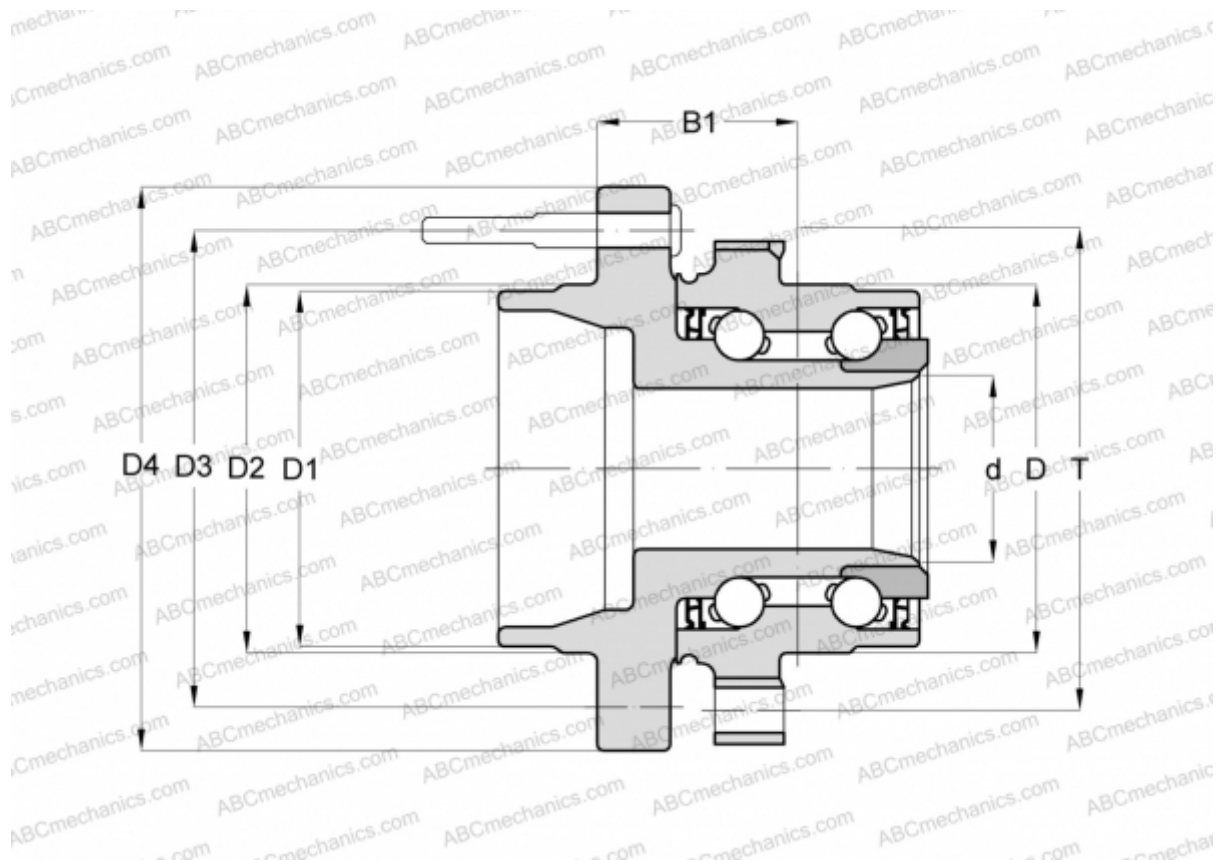


102170 FAG

Angular contact ball bearings

TYPE: Ball bearings, Angular contact ball bearing, Double row, Hub bearing (unit), FAG production, generation 3



Technical specification

DIMENSIONS, MM

D	120,000
D1	121,000
D2	122,900
D3	165,000
D4	205,000
B1	56,300
T	165,000

MANUFACTURER

[FAG](#)