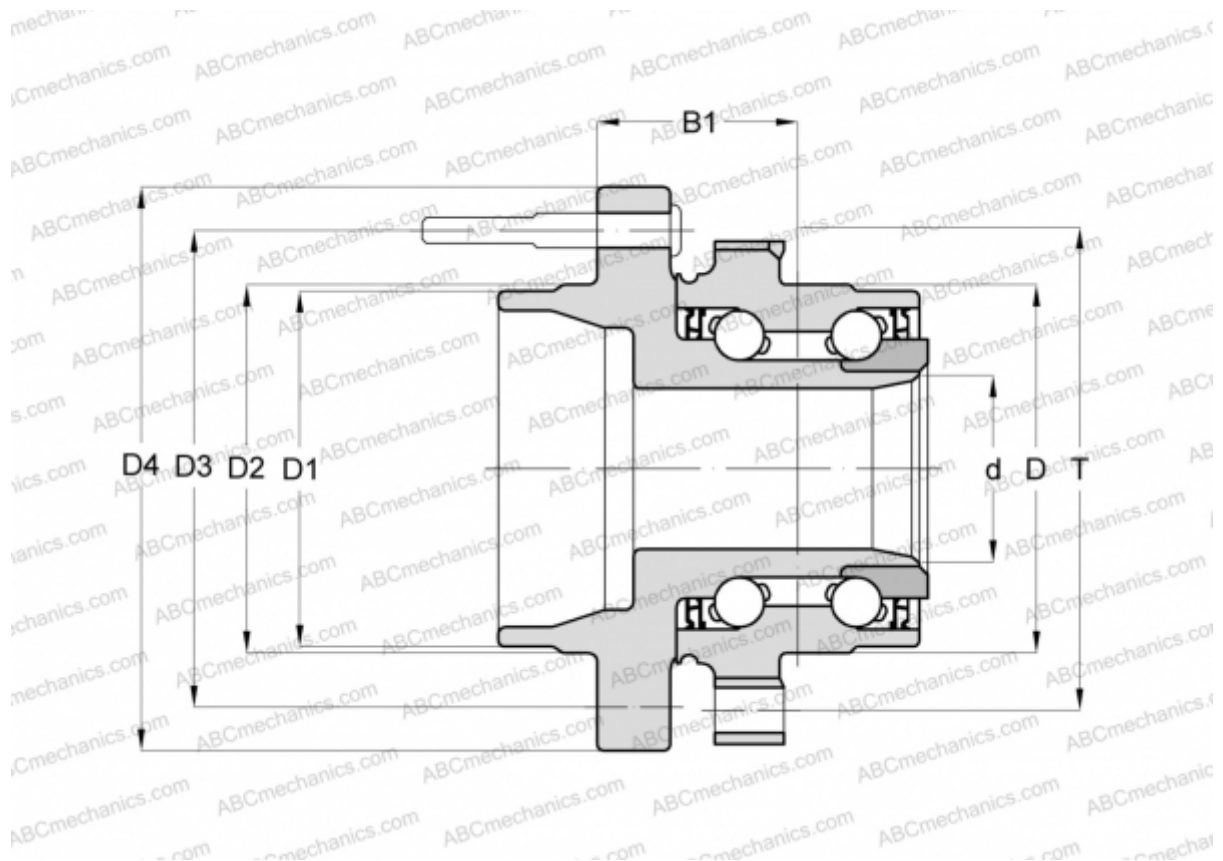


102297 FAG

Angular contact ball bearings

TYPE: Ball bearings, Angular contact ball bearing, Double row, Hub bearing (unit), FAG production, generation 3



Technical specification

DIMENSIONS, MM

| | |
|----|---------|
| D | 80,000 |
| D1 | 65,900 |
| D2 | 68,600 |
| D3 | 114,300 |
| D4 | 120,600 |
| B1 | 40,800 |
| T | 104,800 |

MANUFACTURER

[FAG](#)