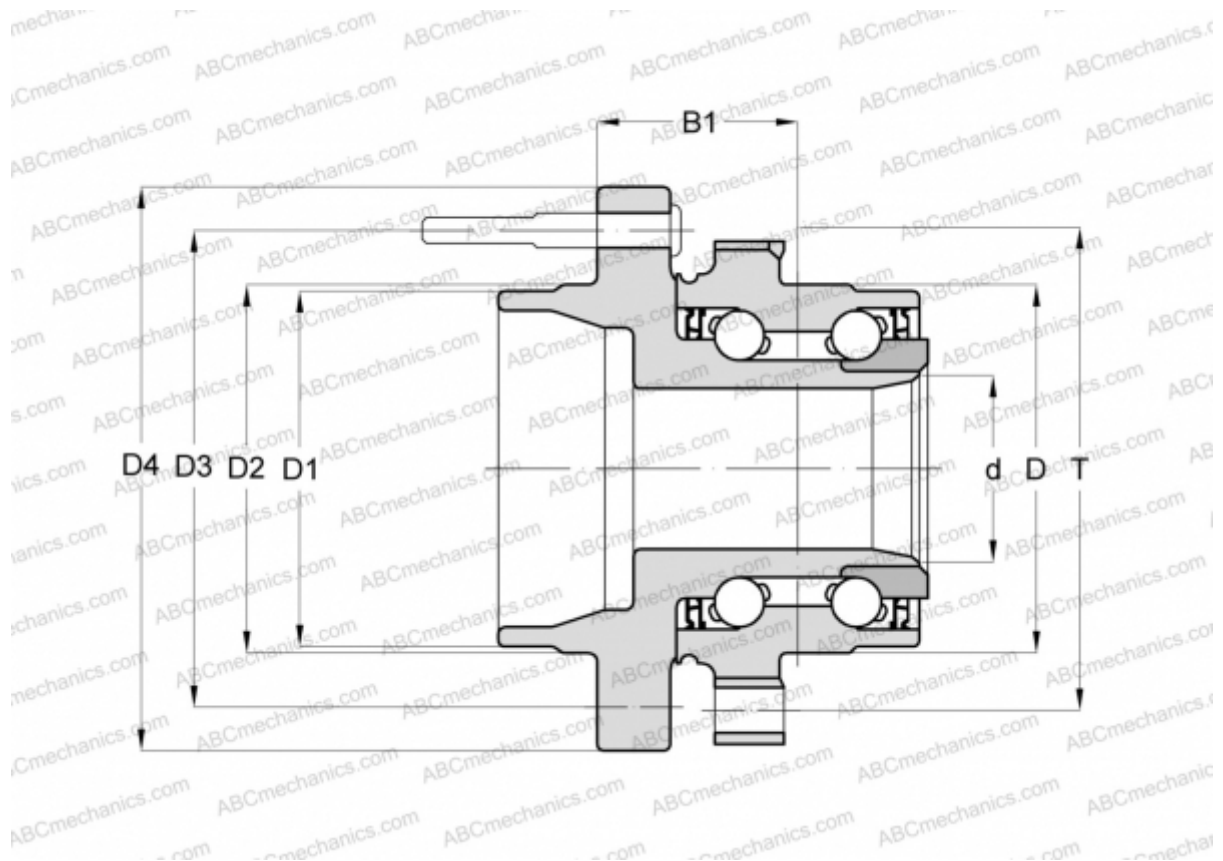


559455EL FAG

Angular contact ball bearings

TYPE: Ball bearings, Angular contact ball bearing, Double row, Hub bearing (unit), FAG production, generation 3



Technical specification

DIMENSIONS, MM

D	94,900
D1	71,400
D2	71,900
D3	113,500
D4	153,500
B1	53,900
T	117,600

MANUFACTURER

[FAG](#)