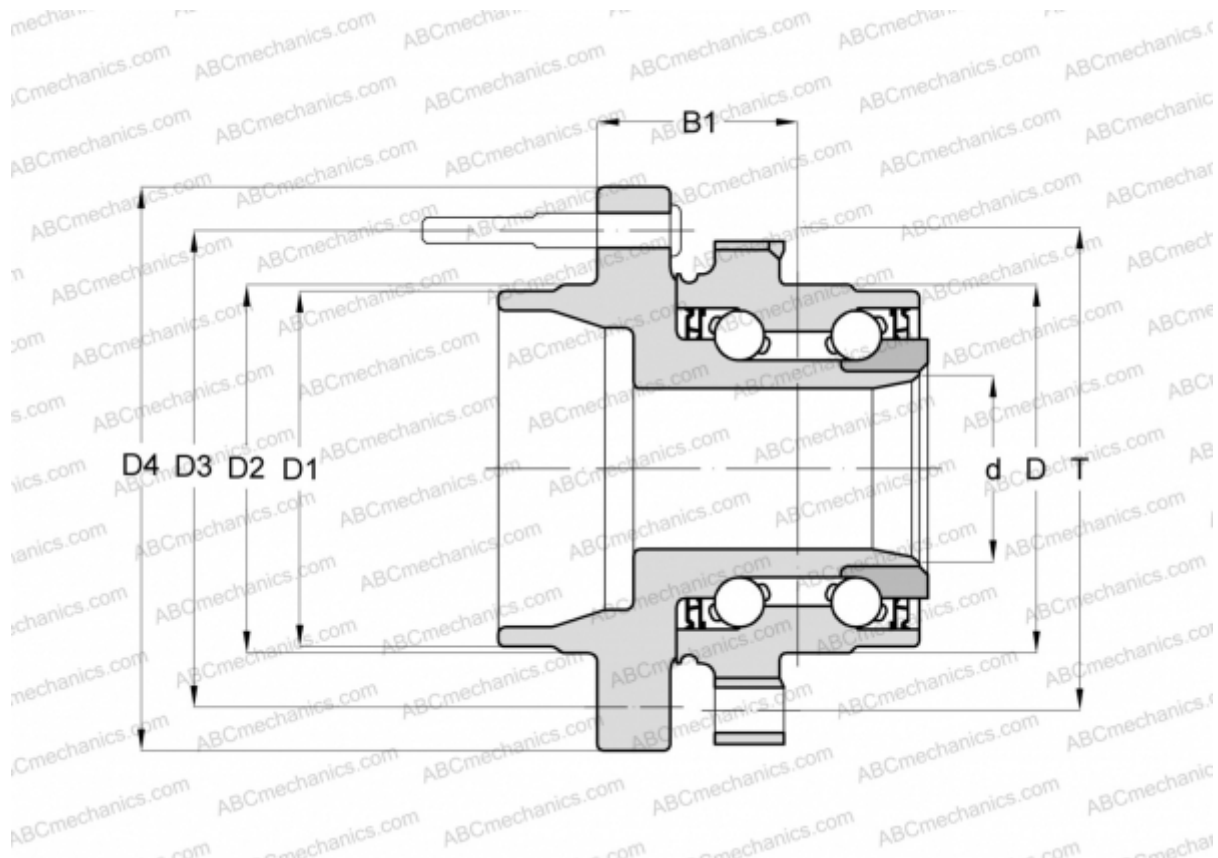


571598.03 FAG

Angular contact ball bearings

TYPE: Ball bearings, Angular contact ball bearing, Double row, Hub bearing (unit), FAG production, generation 3



Technical specification

DIMENSIONS, MM

D	60,000
D1	65,000
D2	65,400
D3	110,000
D4	140,000
B1	78,000
T	84,000

MANUFACTURER

[FAG](#)