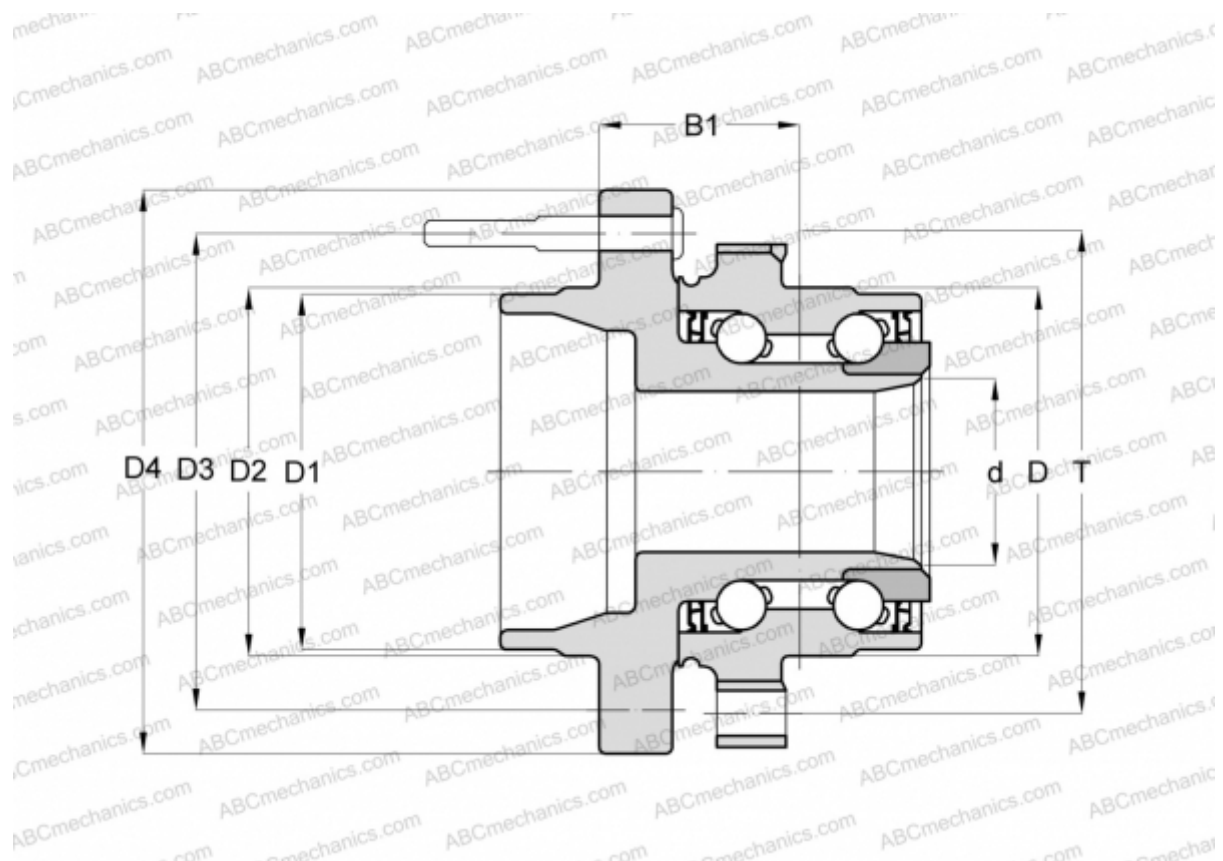


571598A FAG

Angular contact ball bearings

TYPE: Ball bearings, Angular contact ball bearing, Double row, Hub bearing (unit), FAG production, generation 3



Technical specification

DIMENSIONS, MM

D	60,000
D1	56,400
D2	57,000
D3	100,000
D4	136,000
B1	78,000
T	83,000

MANUFACTURER

[FAG](#)