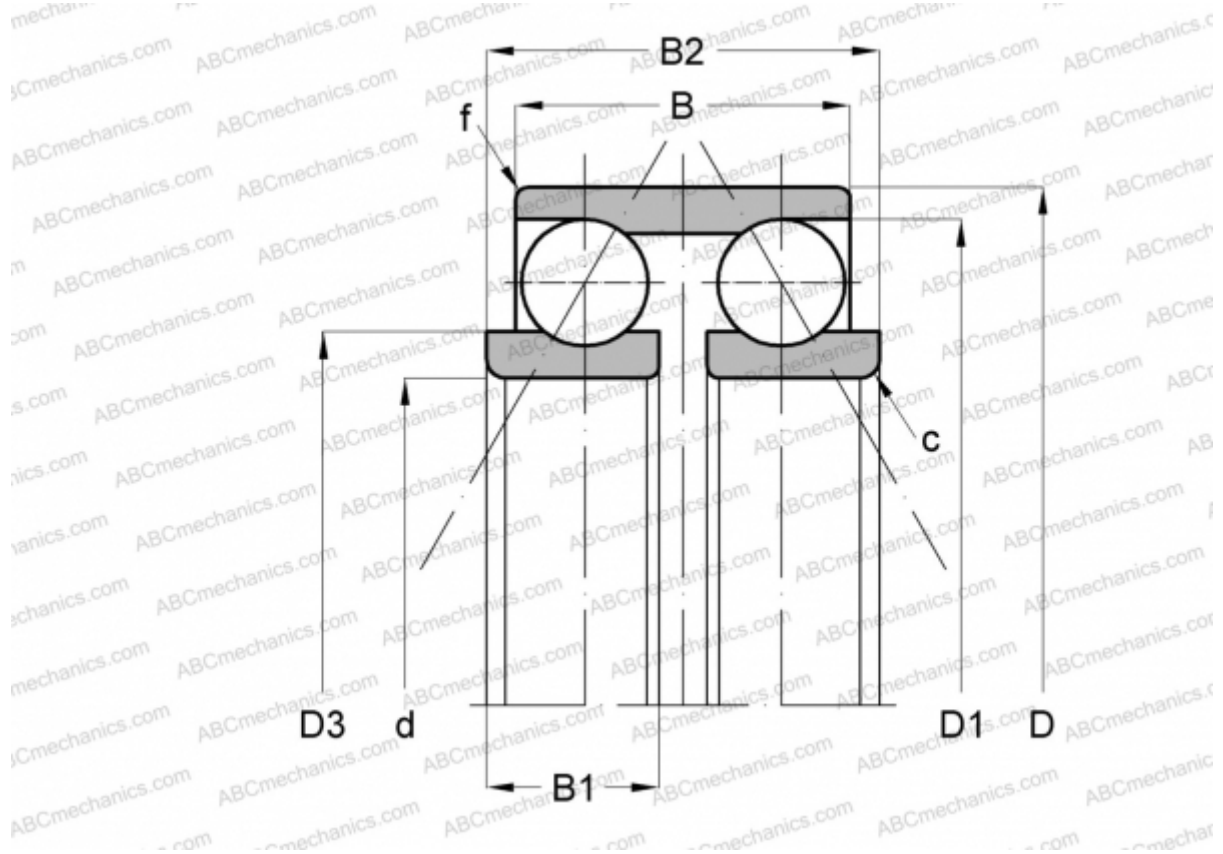


## CPM 2474 CPM

Angular contact ball bearings

TYPE: Ball bearings, Angular contact ball bearing, Double row, Special, CPM production, series B



### Technical specification

#### DIMENSIONS, MM

d	175,000
D	245,000
D1	235,000
D3	200,000
B	53,000
B1	30,000
B2	78,000
f	1,000
c	3,100
$\alpha$	30,000

#### MANUFACTURER

[CPM](#)