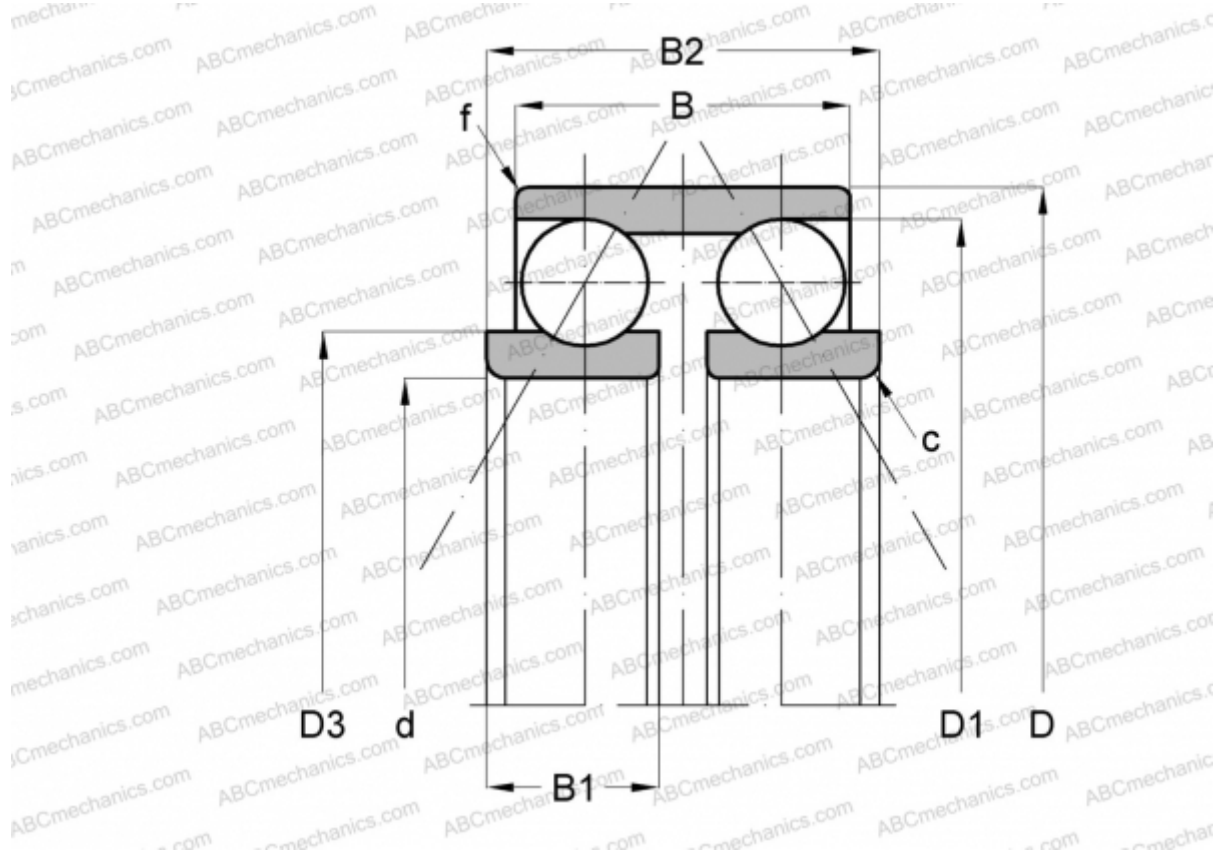


CPM 2539 CPM

Angular contact ball bearings

TYPE: Ball bearings, Angular contact ball bearing, Double row, Special, CPM production, series B



Technical specification

DIMENSIONS, MM

d	205,000
D	285,000
D1	268,300
D3	234,000
B	56,000
B1	35,000
B2	84,000
f	1,100
c	2,500
α	30,000

MANUFACTURER

[CPM](#)