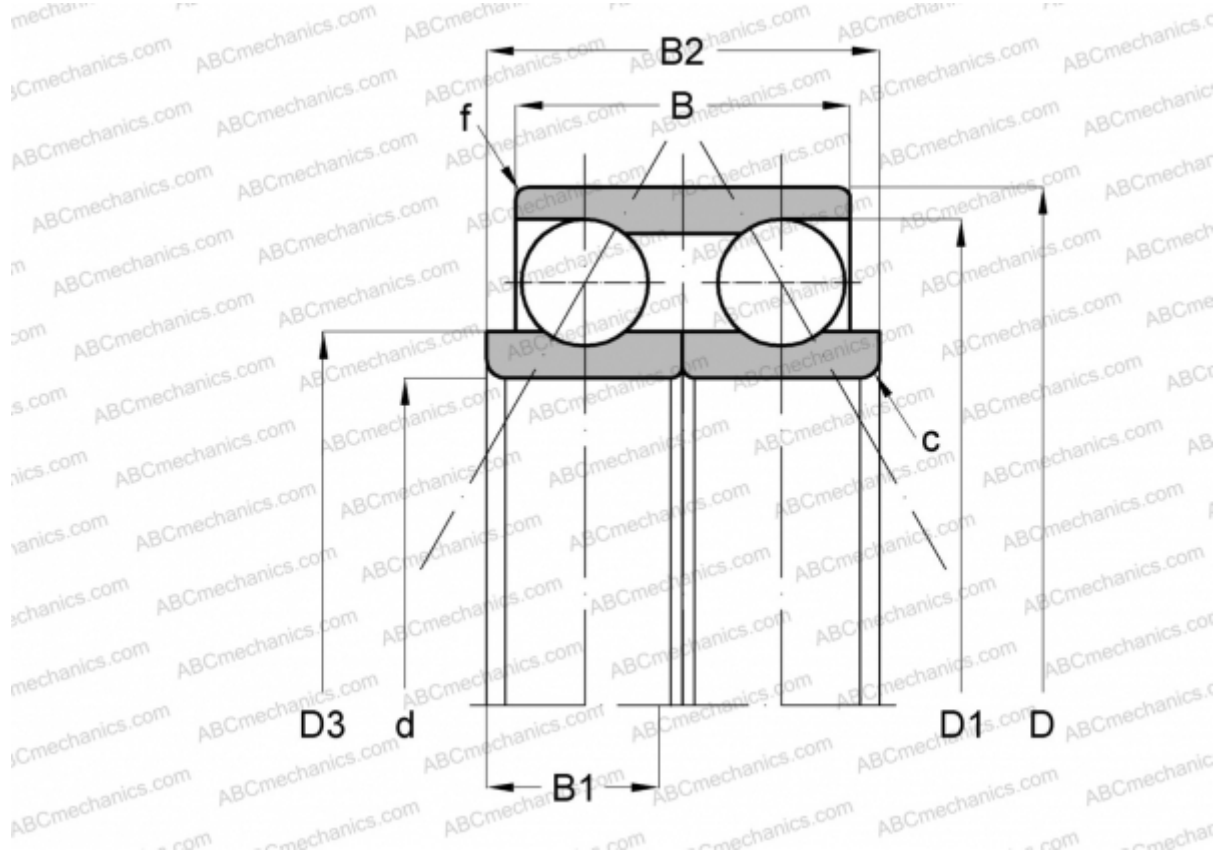


## CPM 2440 CPM

Angular contact ball bearings

TYPE: Ball bearings, Angular contact ball bearing, Double row, Special, CPM production, series C



### Technical specification

#### DIMENSIONS, MM

d	96,000
D	152,400
D1	141,200
D3	116,000
B	45,000
B1	23,000
B2	46,000
f	1,500
c	1,500
$\alpha$	30,000

#### MANUFACTURER

[CPM](#)