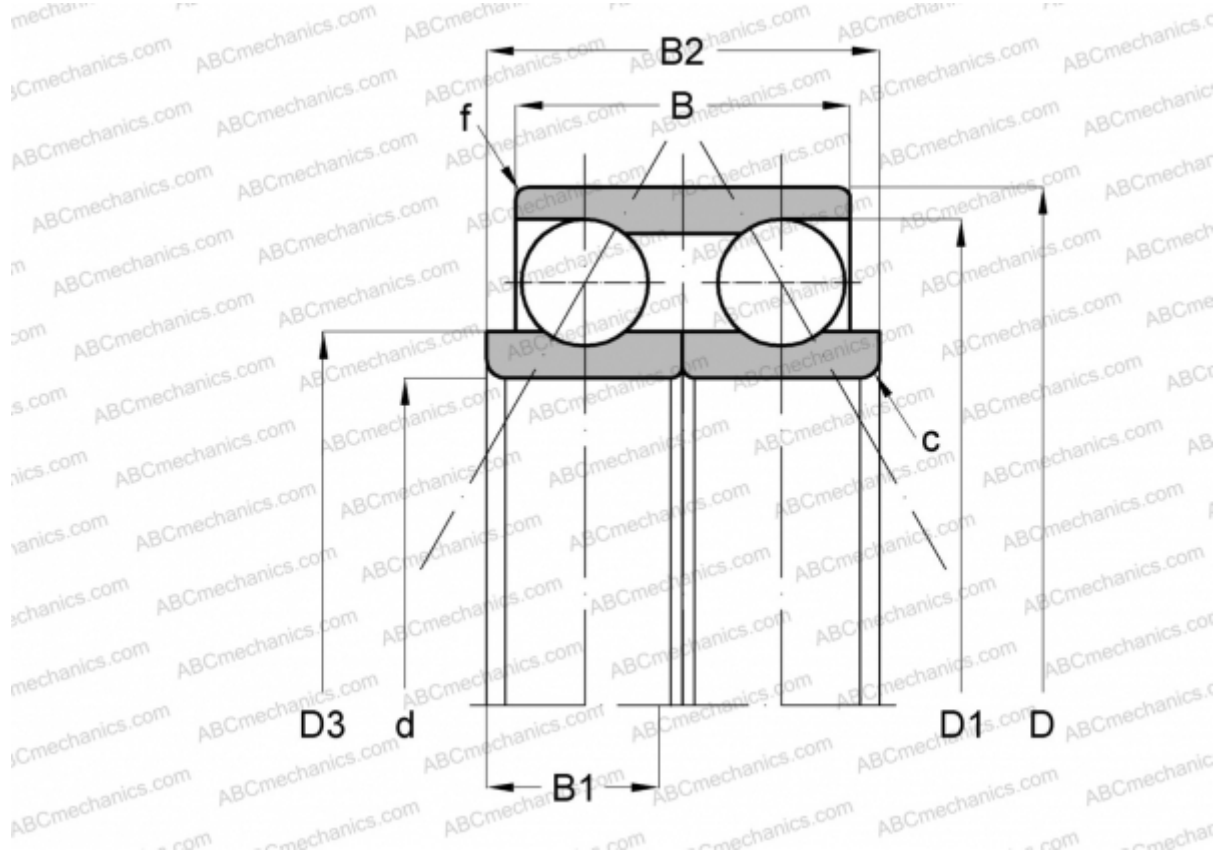


CPM 2712 CPM

Angular contact ball bearings

TYPE: Ball bearings, Angular contact ball bearing, Double row, Special, CPM production, series C



Technical specification

DIMENSIONS, MM

d	180,000
D	250,000
D1	239,500
D3	205,000
B	46,000
B1	35,500
B2	71,000
f	1,200
c	3,100
α	30,000

MANUFACTURER

[CPM](#)