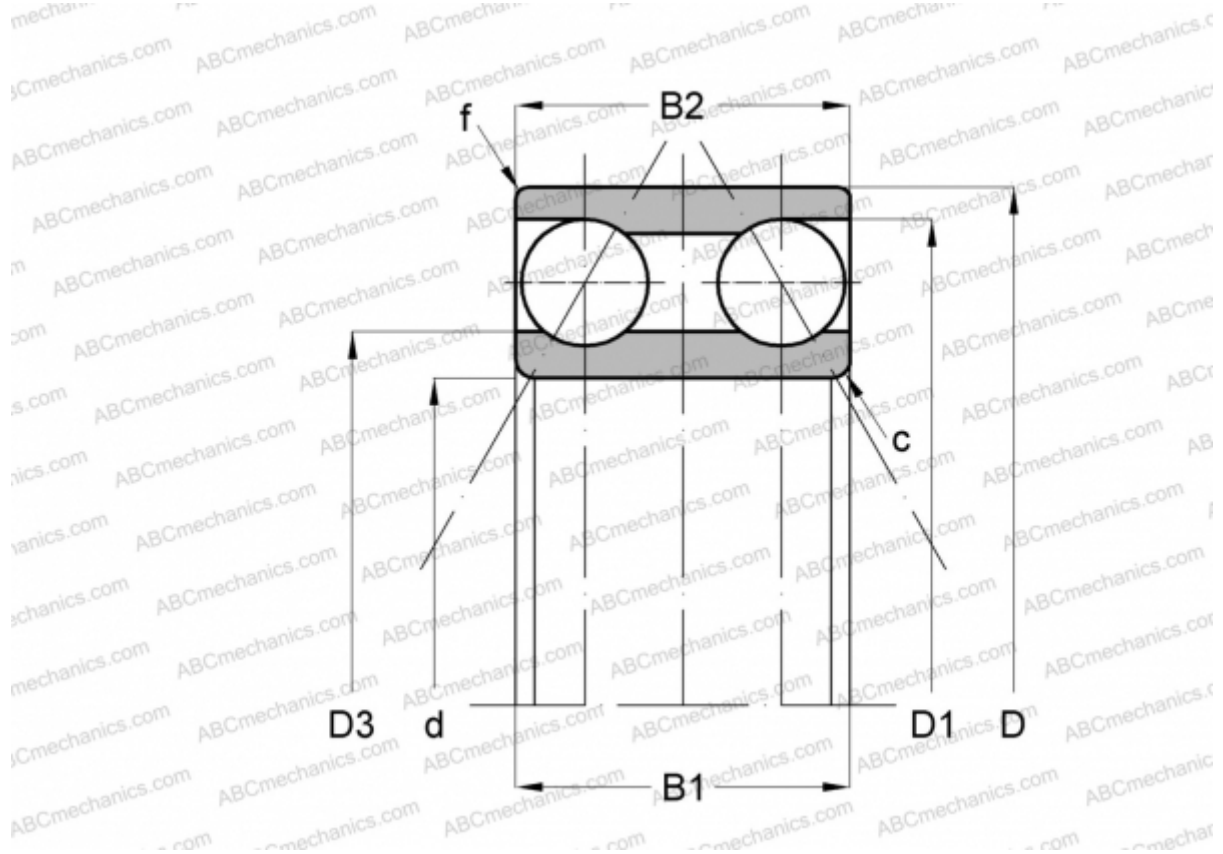


## CPM 2182 CPM

Angular contact ball bearings

TYPE: Ball bearings, Angular contact ball bearing, Double row, Special, CPM production, series D



### Technical specification

#### DIMENSIONS, MM

d	100,000
D	125,000
D1	116,900
D3	107,400
B	29,000
B1	29,000
f	0,500
c	1,000
$\alpha$	20,000

#### MANUFACTURER

[CPM](#)