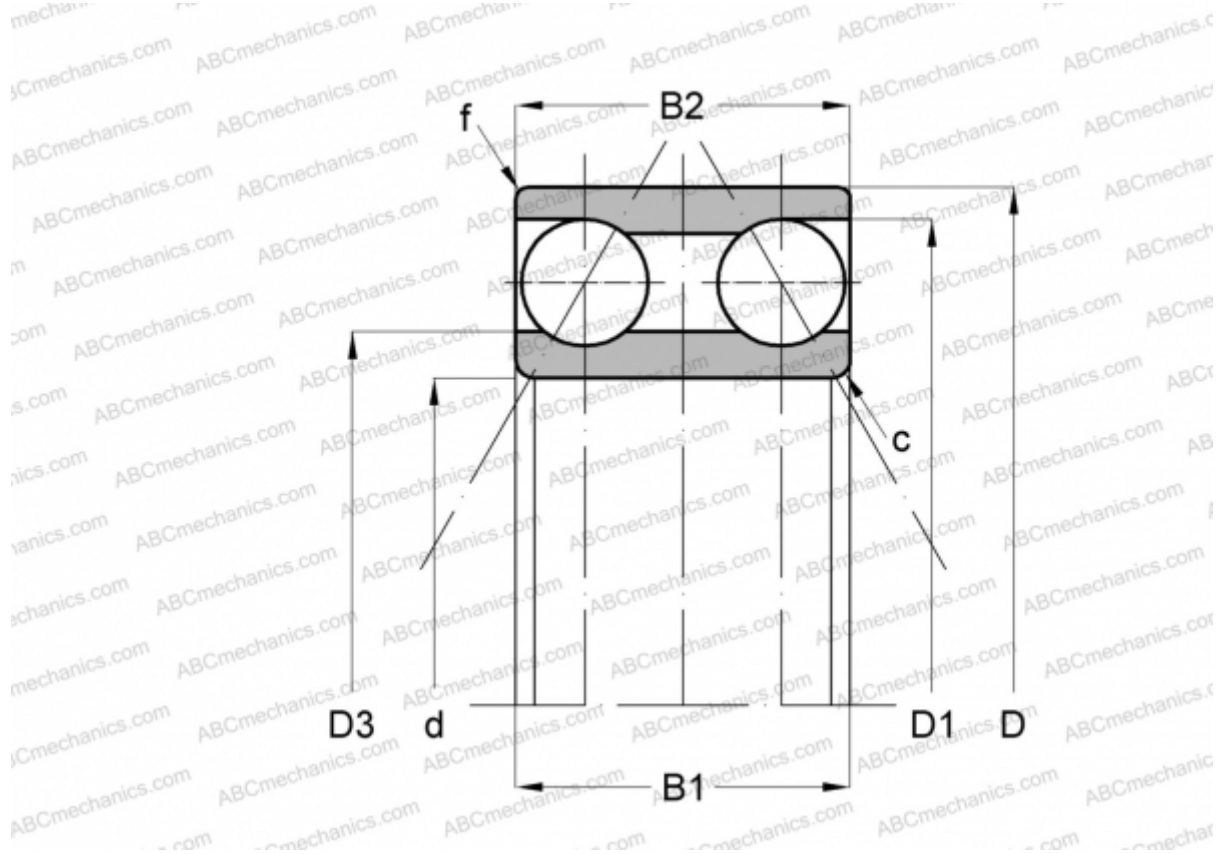


## CPM 2485 CPM

Angular contact ball bearings

TYPE: Ball bearings, Angular contact ball bearing, Double row, Special, CPM production, series D



### Technical specification

#### DIMENSIONS, MM

|          |         |
|----------|---------|
| d        | 110,000 |
| D        | 140,000 |
| D1       | 131,000 |
| D3       | 119,700 |
| B        | 30,000  |
| B1       | 30,000  |
| f        | 1,000   |
| c        | 1,000   |
| $\alpha$ | 20,000  |

#### MANUFACTURER

[CPM](#)