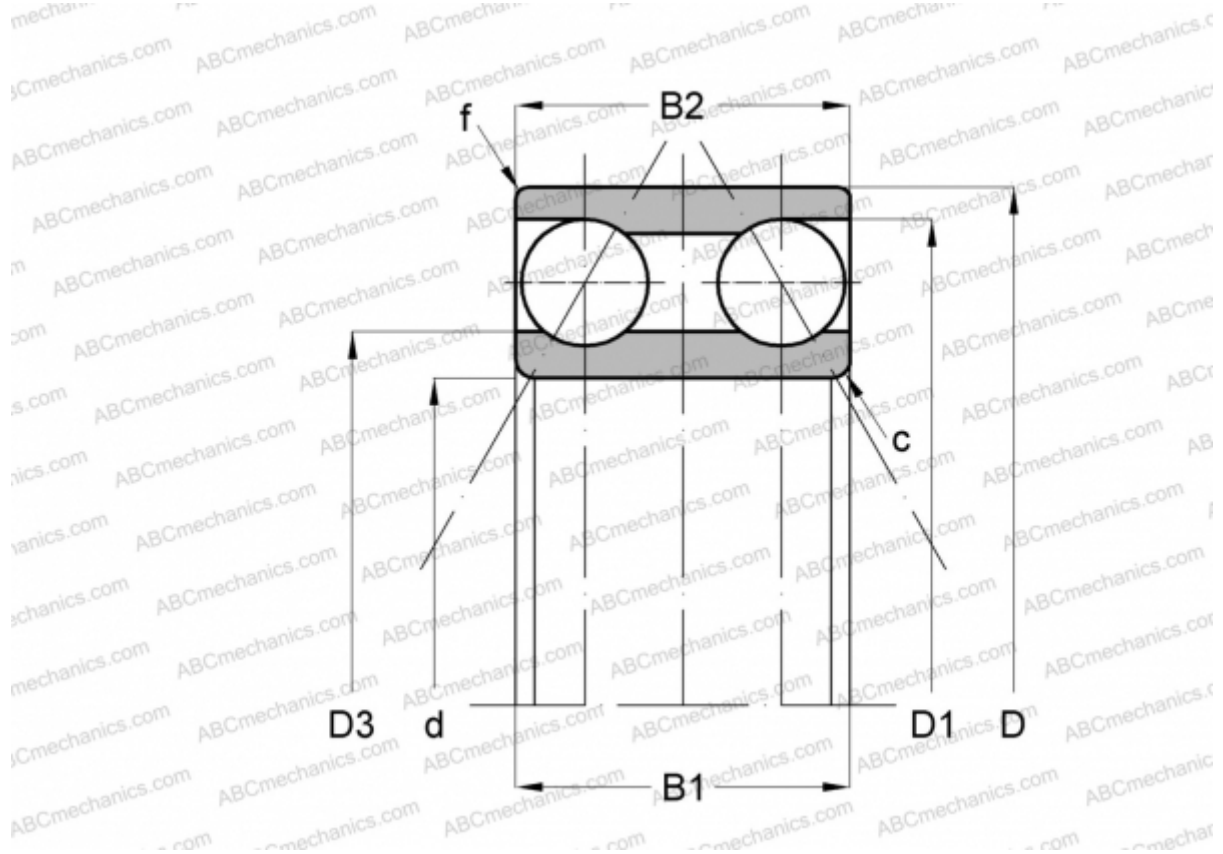


CPM 2194 CPM

Angular contact ball bearings

TYPE: Ball bearings, Angular contact ball bearing, Double row, Special, CPM production, series D



Technical specification

DIMENSIONS, MM

d	130,000
D	172,000
D1	162,000
D3	143,000
B	38,000
B1	38,000
f	1,500
c	1,500
α	30,000

MANUFACTURER

[CPM](#)