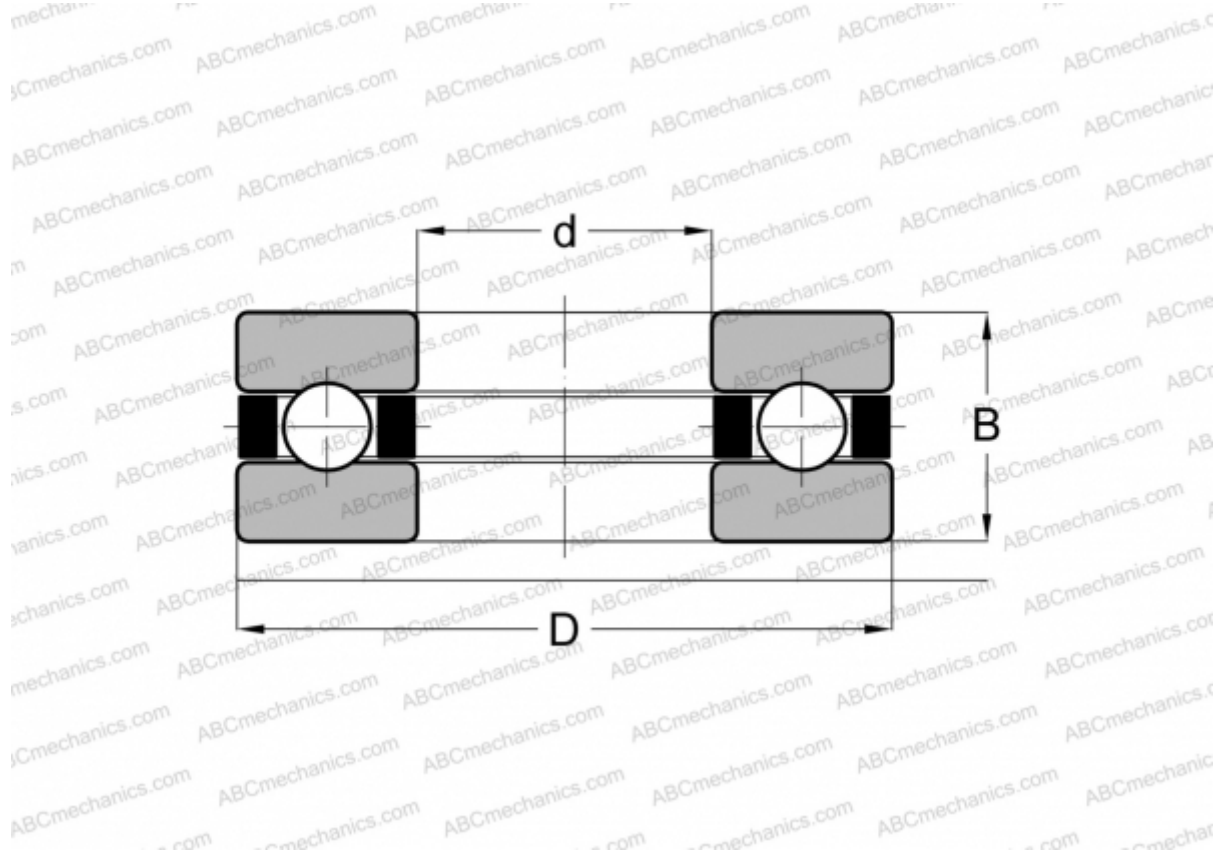


B3 ADR

Thrust ball bearings

TYPE: Ball bearings, Thrust ball bearing, Single direction, Separable, miniature



Technical specification

DIMENSIONS, MM

d	3,000
D	8,000
B	3,500

WEIGHT, KG 0,001

MANUFACTURER [ADR](#)

INTERCHANGE

ABC	F3-8M
NACHI	3TAM8
RMB	B308